

CWI LIGHTING

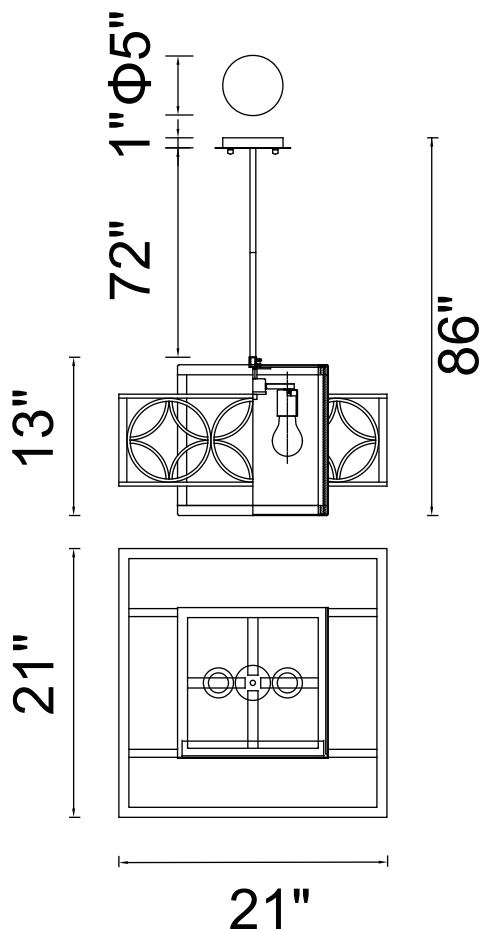
BRIGHTER LIVING. SIMPLIFIED.

PROJECT: _____

FIXTURE TYPE: _____

LOCATION: _____

CONTACT/PHONE: _____



Item	9838P21-2-S-129
Collection	EVA
Finish	Golden line Bronze
Glass	-----
Crystal	-----
Input	120V AC,60HZ,AC

Shade	-----
Length/Dia.	21"
Width/Ext.	21"
Height	13"
Maximum	86"
Lumens	-----

Light Source	E26
Bulb Info.	2x60W
Included	-----
Dimmable	No
Color	-----
Weight	