

# CWI LIGHTING

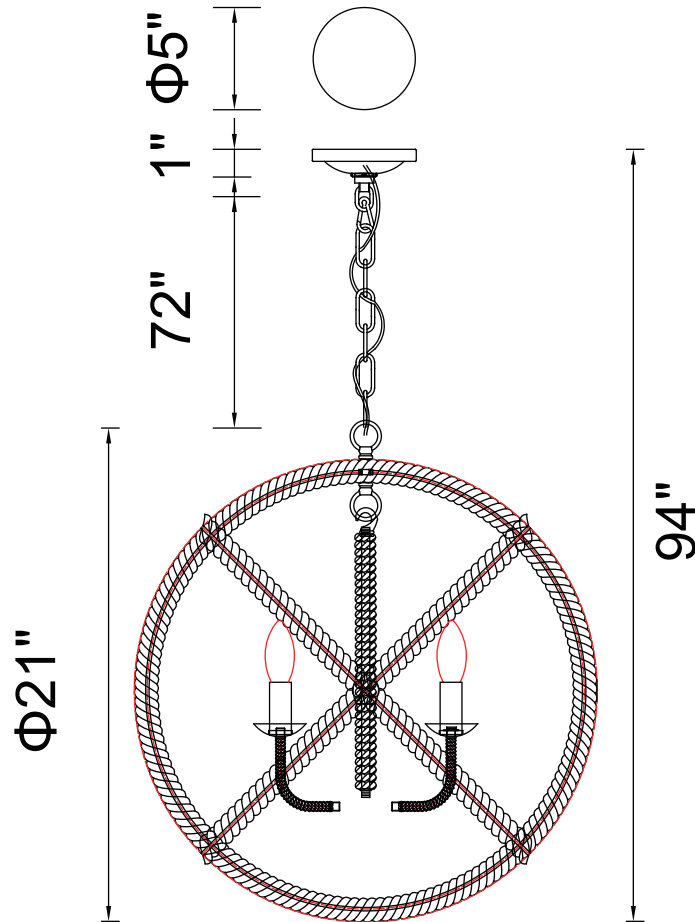
BRIGHTER LIVING. SIMPLIFIED.

PROJECT: \_\_\_\_\_

FIXTURE TYPE: \_\_\_\_\_

LOCATION: \_\_\_\_\_

CONTACT/PHONE: \_\_\_\_\_



Item	9706P21-5-101
Collection	PADMA
Finish	Black
Glass	-----
Crystal	-----
Input	120V AC,60HZ,AC

Shade	-----
Length/Dia.	21"
Width/Ext.	-----
Height	21"
Maximum	94"
Lumens	-----

Light Source	E12
Bulb Info.	5×60W
Included	-----
Dimmable	No
Color	-----
Weight	