

# CWI LIGHTING

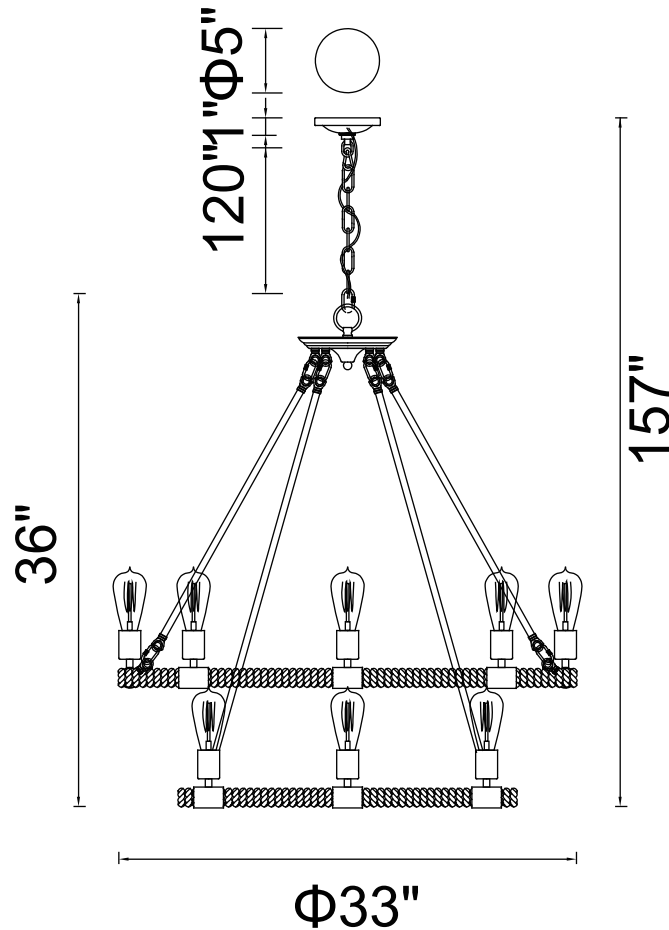
BRIGHTER LIVING. SIMPLIFIED.

PROJECT: \_\_\_\_\_

FIXTURE TYPE: \_\_\_\_\_

LOCATION: \_\_\_\_\_

CONTACT/PHONE: \_\_\_\_\_



Item	9671P33-14-101
Collection	GANGES
Finish	Black
Glass	-----
Crystal	-----
Input	120V AC,60HZ,AC

Shade	-----
Length/Dia.	33"
Width/Ext.	-----
Height	36"
Maximum	157"
Lumens	-----

Light Source	E26
Bulb Info.	14x60W
Included	-----
Dimmable	No
Color	-----
Weight	-----