

# CWI LIGHTING

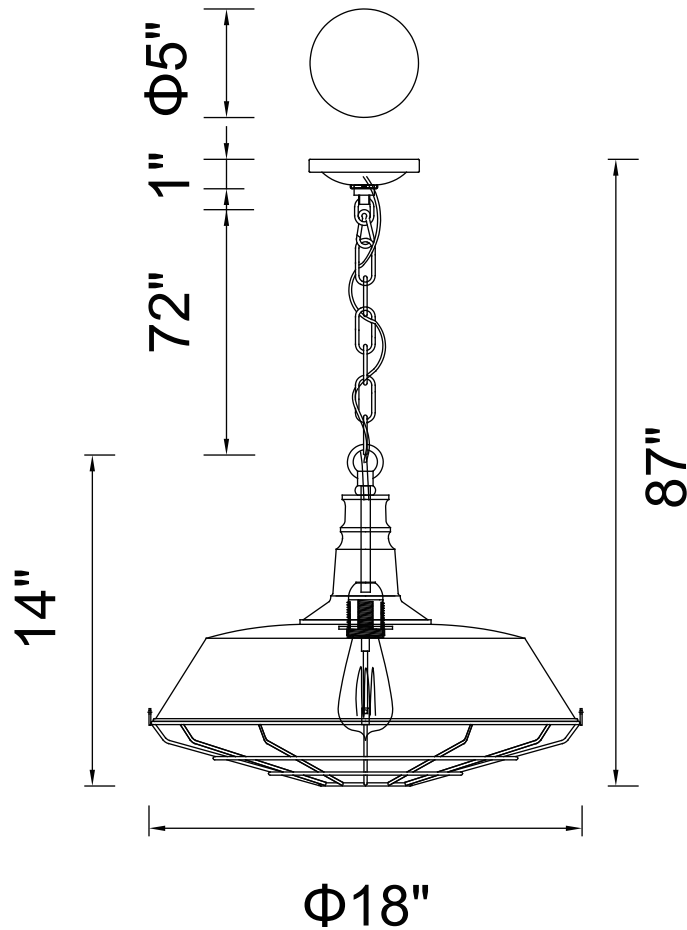
BRIGHTER LIVING. SIMPLIFIED.

PROJECT: \_\_\_\_\_

FIXTURE TYPE: \_\_\_\_\_

LOCATION: \_\_\_\_\_

CONTACT/PHONE: \_\_\_\_\_



Item	9611P18-1-101
Collection	MORGAN
Finish	Black
Glass	-----
Crystal	-----
Input	120V AC,60HZ,AC

Shade	-----
Length/Dia.	11"
Width/Ext.	-----
Height	12"
Maximum	87"
Lumens	-----

Light Source	E26
Bulb Info.	1×60W
Included	-----
Dimmable	No
Color	-----
Weight	-----

**CWILIGHTING**  
[www.cwilighting.com](http://www.cwilighting.com)  
[Info@cwilighting.com](mailto:Info@cwilighting.com)

140 Steelcase Rd.W.  
 Markham ON. L3R 3J9 Canada  
 Tel: 905 940 4999  
 Toll: 1-877-564-6034  
 Fax: 905-940-0126  
 Toll Fax: 1-866-840-2796

Dallas showroom  
 Dallas Market Center  
 Showroom #: 3327  
 2100N. Stemmons Frwy.  
 Dallas, TX 75207

