

# CWI LIGHTING

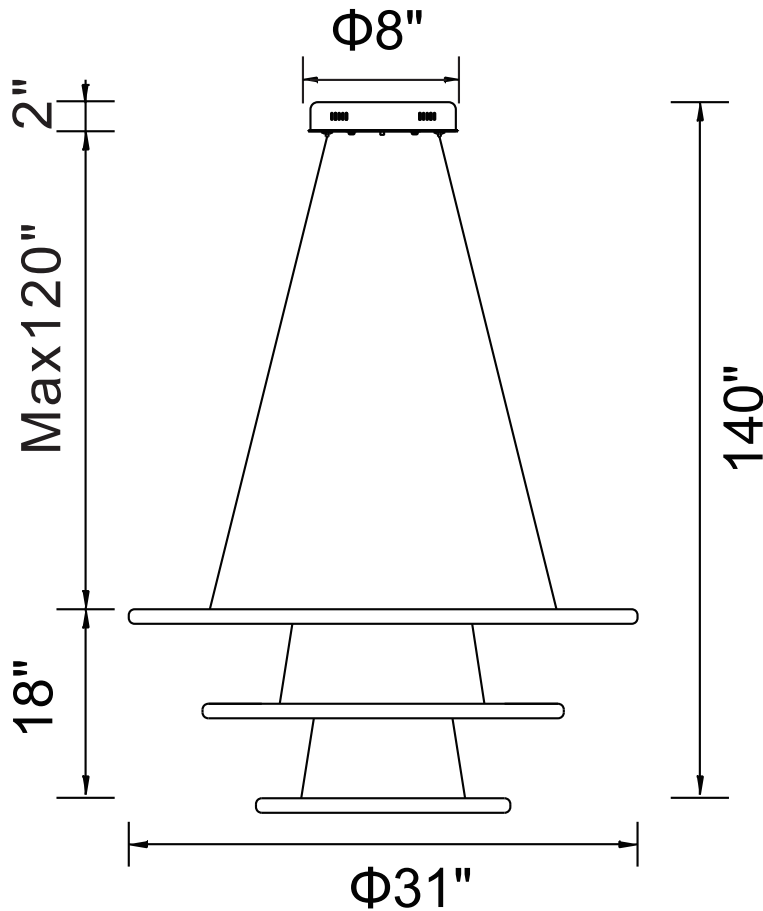
BRIGHTER LIVING. SIMPLIFIED.

PROJECT: \_\_\_\_\_

FIXTURE TYPE: \_\_\_\_\_

LOCATION: \_\_\_\_\_

CONTACT/PHONE: \_\_\_\_\_



Item	7112P31-103
Collection	CHALICE
Finish	White
Glass	-----
Crystal	-----
Input	120V AC,60HZ,AC

Shade	-----
Length/Dia.	31"
Width/Ext.	-----
Height	18"
Maximum	140"
Lumens	3578

Light Source	LED
Bulb Info.	54W
Included	-----
Dimmable	Yes
Color	3000K
Weight	