

# CWI LIGHTING

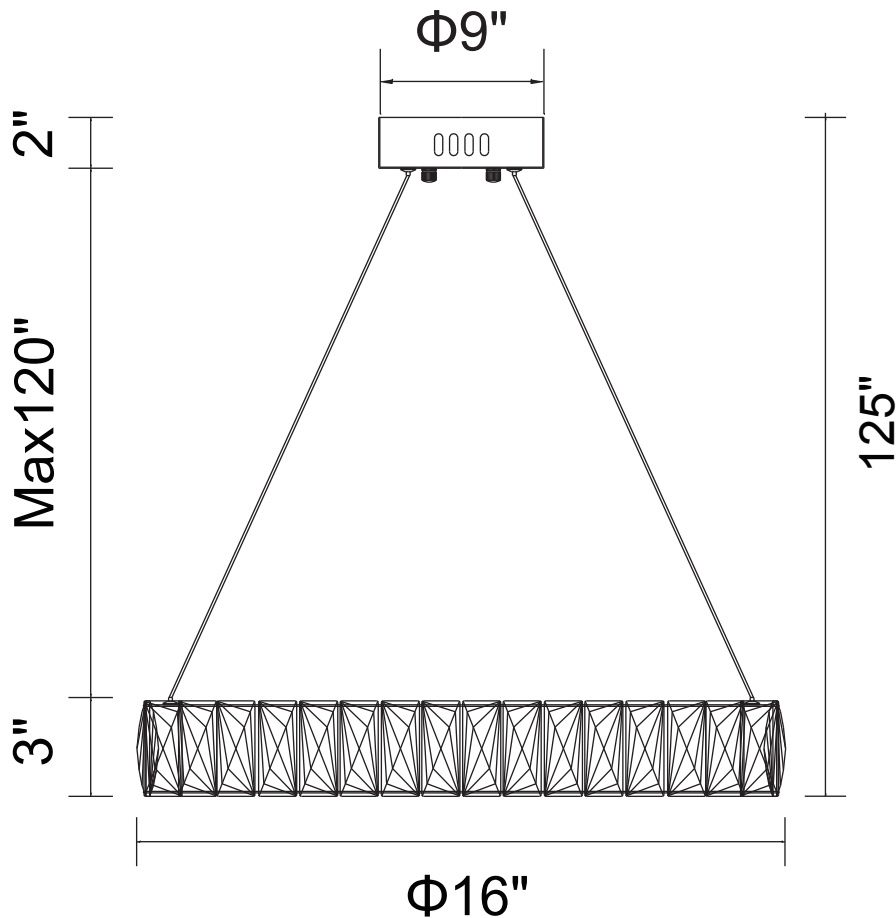
BRIGHTER LIVING. SIMPLIFIED.

PROJECT: \_\_\_\_\_

FIXTURE TYPE: \_\_\_\_\_

LOCATION: \_\_\_\_\_

CONTACT/PHONE: \_\_\_\_\_



Item	5704P16-1-601-A
Collection	JUNO
Finish	Chrome
Glass	-----
Crystal	Clear
Input	120V AC,60HZ,AC

Shade	-----
Length/Dia.	16"
Width/Ext.	-----
Height	3"
Maximum	125"
Lumens	1900

Light Source	LED
Bulb Info.	36W
Included	-----
Dimmable	Yes
Color	4000K
Weight	