

# CWI LIGHTING

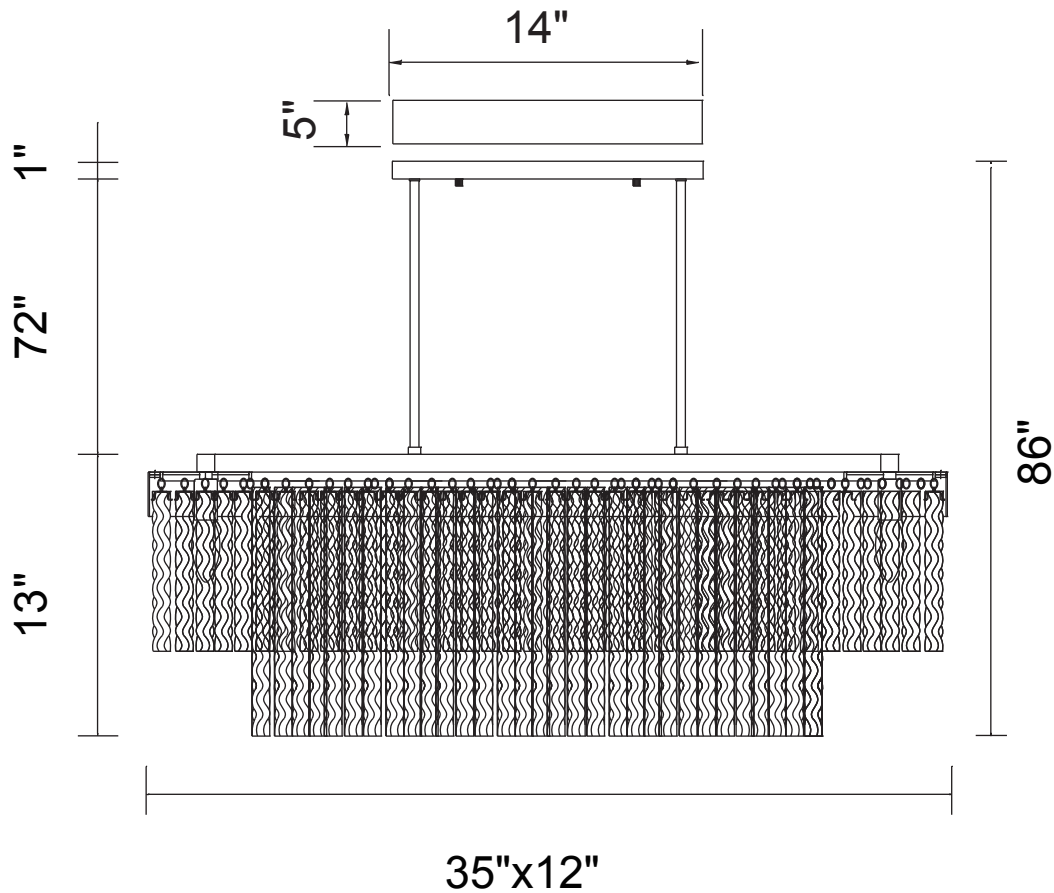
BRIGHTER LIVING. SIMPLIFIED.

PROJECT: \_\_\_\_\_

FIXTURE TYPE: \_\_\_\_\_

LOCATION: \_\_\_\_\_

CONTACT/PHONE: \_\_\_\_\_



|            |                      |
|------------|----------------------|
| Item       | 5695P35-8<br>-601-RC |
| Collection | CARLOTTA             |
| Finish     | Chrome               |
| Glass      | Clear                |
| Crystal    | -----                |
| Input      | 120V AC,60HZ,AC      |

|             |       |
|-------------|-------|
| Shade       | ----- |
| Length/Dia. | 35"   |
| Width/Ext.  | 12"   |
| Height      | 13"   |
| Maximum     | 86"   |
| Lumens      | ----- |

|              |       |
|--------------|-------|
| Light Source | E12   |
| Bulb Info.   | 8x60W |
| Included     | ----- |
| Dimmable     | No    |
| Color        | ----- |
| Weight       |       |