

CWI LIGHTING

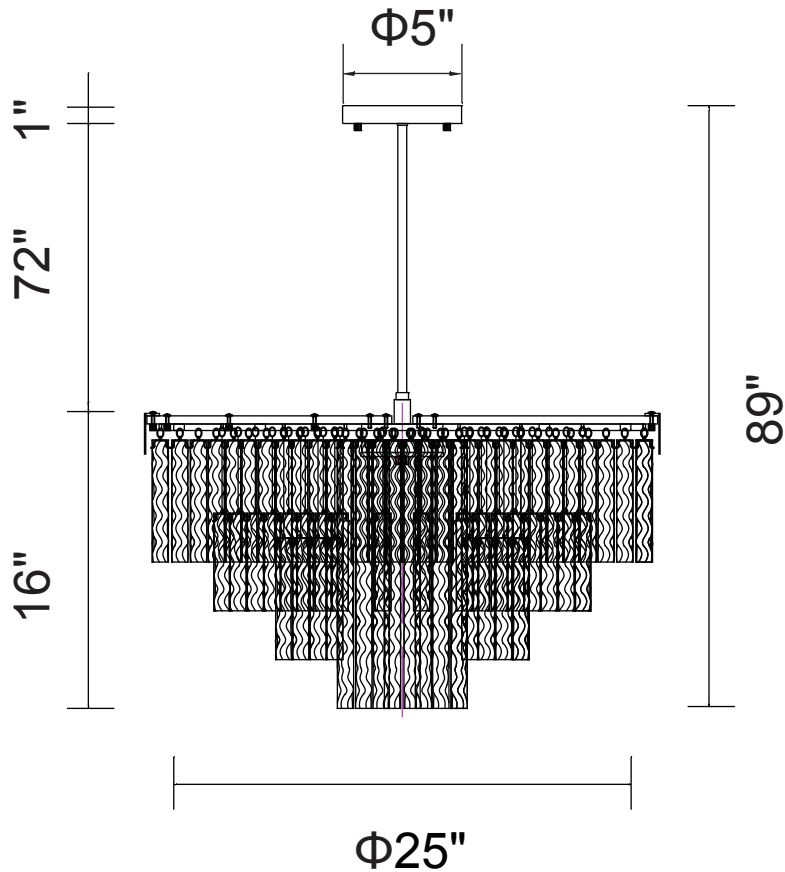
BRIGHTER LIVING. SIMPLIFIED.

PROJECT: _____

FIXTURE TYPE: _____

LOCATION: _____

CONTACT/PHONE: _____



Item	5695P25-9-601
Collection	CARLOTTA
Finish	Chrome
Glass	Clear
Crystal	-----
Input	120V AC,60HZ,AC

Shade	-----
Length/Dia.	25"
Width/Ext.	-----
Height	16"
Maximum	89"
Lumens	-----

Light Source	E12
Bulb Info.	9x60W
Included	-----
Dimmable	No
Color	-----
Weight	