

CWI LIGHTING

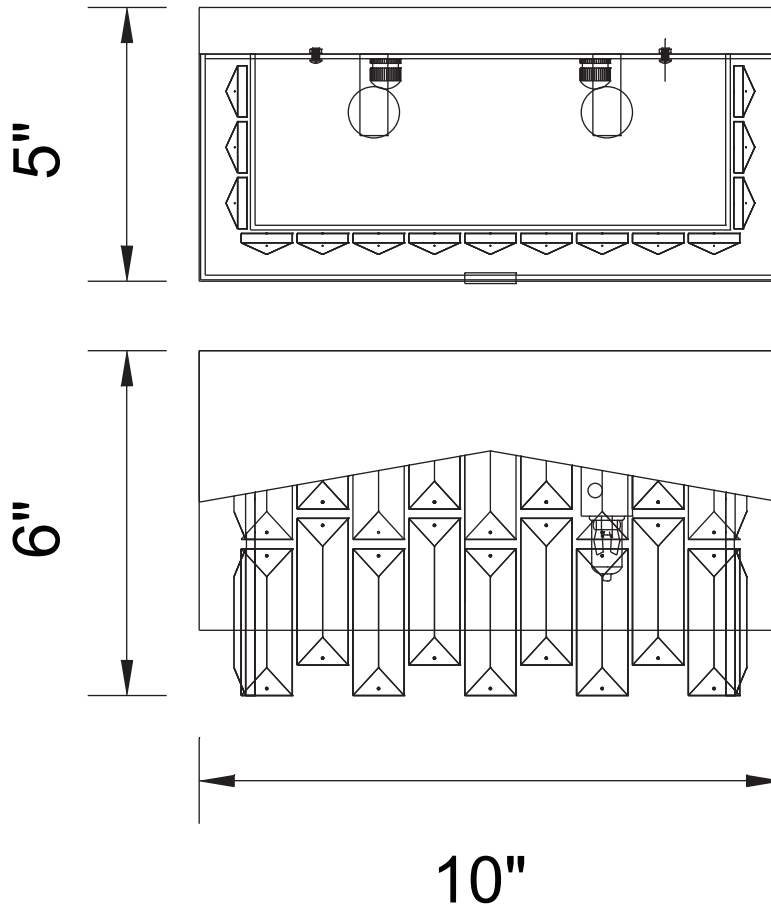
BRIGHTER LIVING. SIMPLIFIED.

PROJECT: _____

FIXTURE TYPE: _____

LOCATION: _____

CONTACT/PHONE: _____



| | |
|------------|-----------------|
| Item | 5674W10C-W |
| Collection | HAVELY |
| Finish | Chrome |
| Glass | ----- |
| Crystal | Clear |
| Input | 120V AC,60HZ,AC |

| | |
|-------------|-------|
| Shade | ----- |
| Length/Dia. | 10" |
| Width/Ext. | 5" |
| Height | 6" |
| Maximum | 6" |
| Lumens | ----- |

| | |
|--------------|-------|
| Light Source | G9 |
| Bulb Info. | 2×40W |
| Included | ----- |
| Dimmable | No |
| Color | ----- |
| Weight | |