

CWI LIGHTING

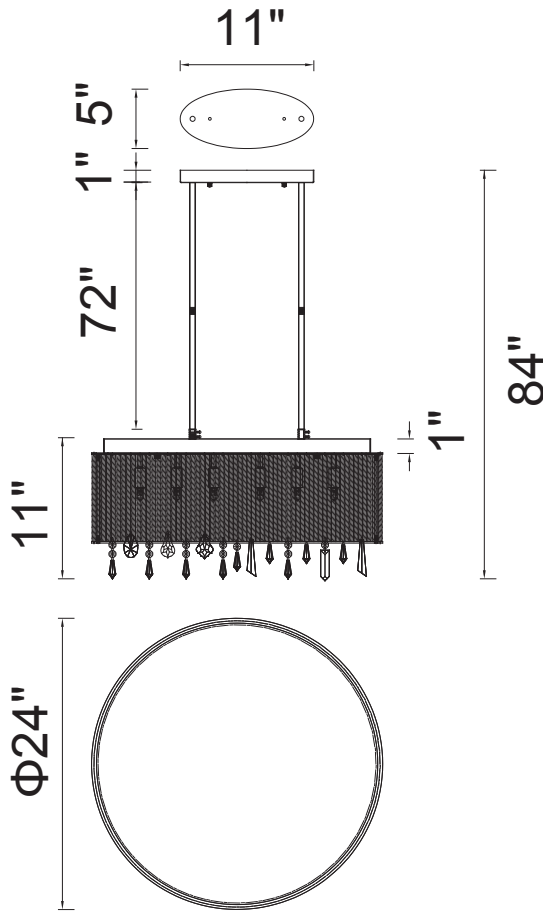
BRIGHTER LIVING. SIMPLIFIED.

PROJECT: _____

FIXTURE TYPE: _____

LOCATION: _____

CONTACT/PHONE: _____



Item	5562C24C
Collection	BENSON
Finish	Chrome
Glass	-----
Crystal	Clear
Input	120V AC,60HZ,AC

Shade	-----
Length/Dia.	24"
Width/Ext.	-----
Height	11"
Maximum	84"
Lumens	-----

Light Source	G9
Bulb Info.	14×40W
Included	-----
Dimmable	No
Color	-----
Weight	