

# CWI LIGHTING

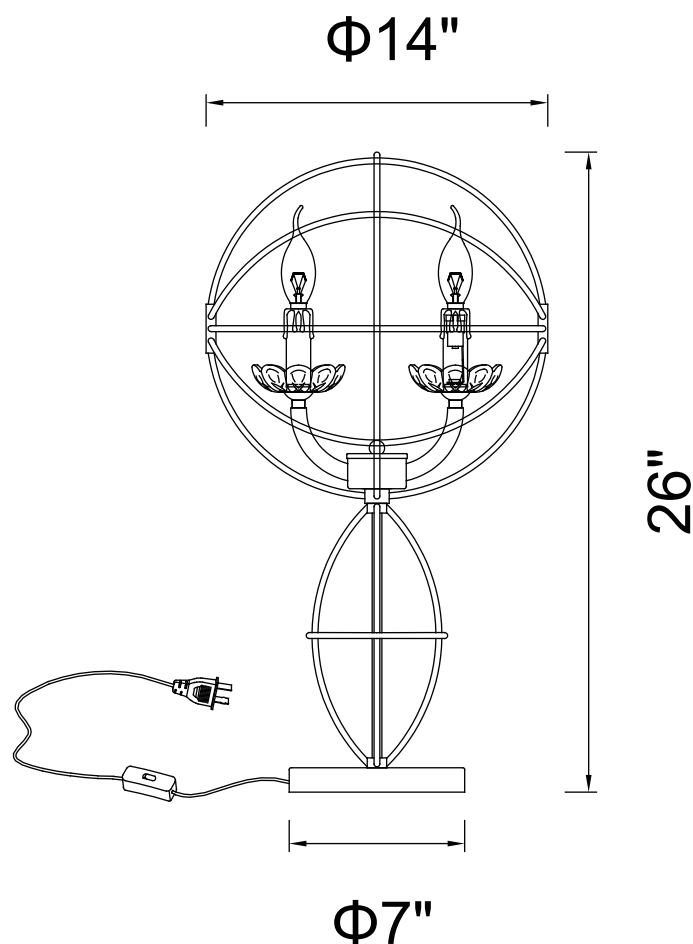
BRIGHTER LIVING. SIMPLIFIED.

PROJECT: \_\_\_\_\_

FIXTURE TYPE: \_\_\_\_\_

LOCATION: \_\_\_\_\_

CONTACT/PHONE: \_\_\_\_\_



Item	5465T14DB-3
Collection	CAMPECHIA
Finish	Brown
Glass	-----
Crystal	Clear
Input	120V AC,60HZ,AC

Shade	-----
Length/Dia.	7"
Width/Ext.	-----
Height	26"
Maximum	-----
Lumens	-----

Light Source	E12
Bulb Info.	3×60W
Included	-----
Dimmable	No
Color	-----
Weight	