

CWI LIGHTING

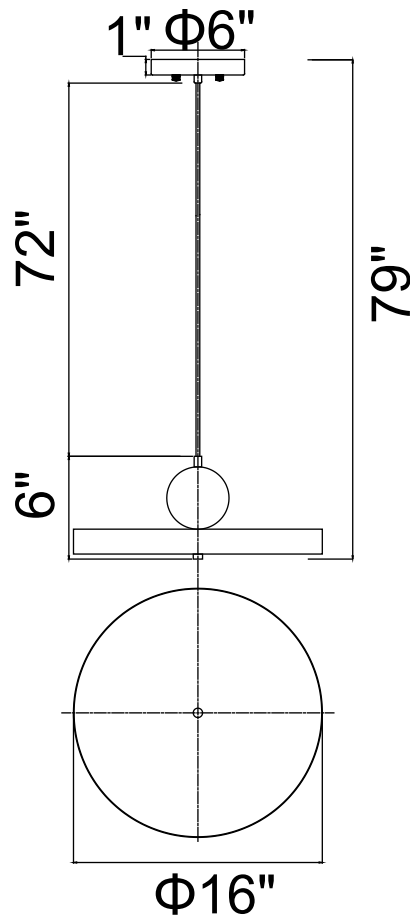
BRIGHTER LIVING. SIMPLIFIED.

PROJECT: _____

FIXTURE TYPE: _____

LOCATION: _____

CONTACT/PHONE: _____



Item	1156P16-625
Collection	SALEEN
Finish	Brass+Black
Glass	-----
Crystal	-----
Input	120V AC,60HZ,AC

Shade	-----
Length/Dia.	16"
Width/Ext.	-----
Height	6"
Maximum	79"
Lumens	-----

Light Source	LED
Bulb Info.	15W
Included	-----
Dimmable	No
Color	4000K
Weight	