

CWI LIGHTING

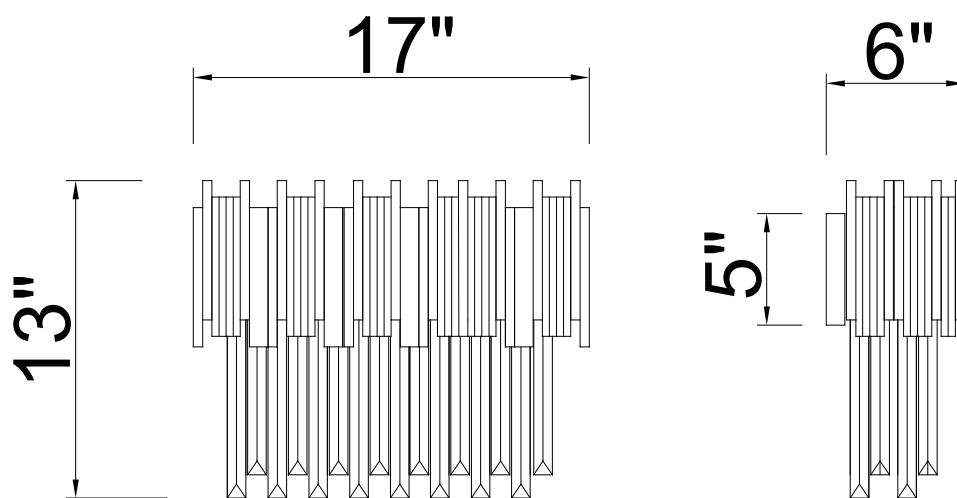
BRIGHTER LIVING. SIMPLIFIED.

PROJECT: _____

FIXTURE TYPE: _____

LOCATION: _____

CONTACT/PHONE: _____



Item	1112W17-3-169
Collection	DECO
Finish	Medallion Gold
Glass	-----
Crystal	Clear
Input	120V AC,60HZ,AC

Shade	-----
Length/Dia.	17"
Width/Ext.	-----
Height	13"
Maximum	-----
Lumens	-----

Light Source	E12
Bulb Info.	3×60W
Included	-----
Dimmable	No
Color	-----
Weight	