

# CWI LIGHTING

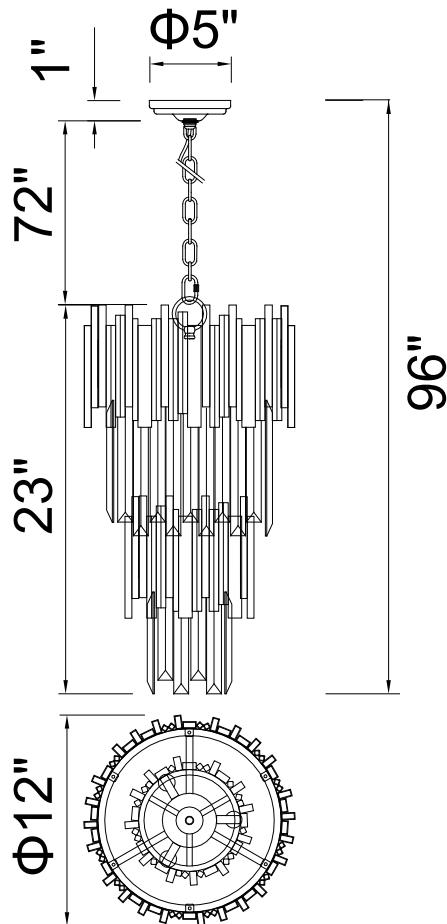
BRIGHTER LIVING. SIMPLIFIED.

PROJECT: \_\_\_\_\_

FIXTURE TYPE: \_\_\_\_\_

LOCATION: \_\_\_\_\_

CONTACT/PHONE: \_\_\_\_\_



Item	1112P12-4-169
Collection	DECO
Finish	Medallion Gold
Glass	-----
Crystal	Clear
Input	120V AC,60HZ,AC

Shade	-----
Length/Dia.	12"
Width/Ext.	-----
Height	23"
Maximum	96"
Lumens	-----

Light Source	E12
Bulb Info.	4x60W
Included	-----
Dimmable	No
Color	-----
Weight	

**CWILIGHTING**  
[www.cwilighting.com](http://www.cwilighting.com)  
[Info@cwilighting.com](mailto:Info@cwilighting.com)

140 Steelcase Rd.W.  
 Markham ON. L3R 3J9 Canada  
 Tel: 905 940 4999  
 Toll: 1-877-564-6034  
 Fax: 905-940-0126  
 Toll Fax: 1-866-840-2796

Dallas showroom  
 Dallas Market Center  
 Showroom #: 3327  
 2100N. Stemmons Frwy.  
 Dallas, TX 75207

