

# CWI LIGHTING

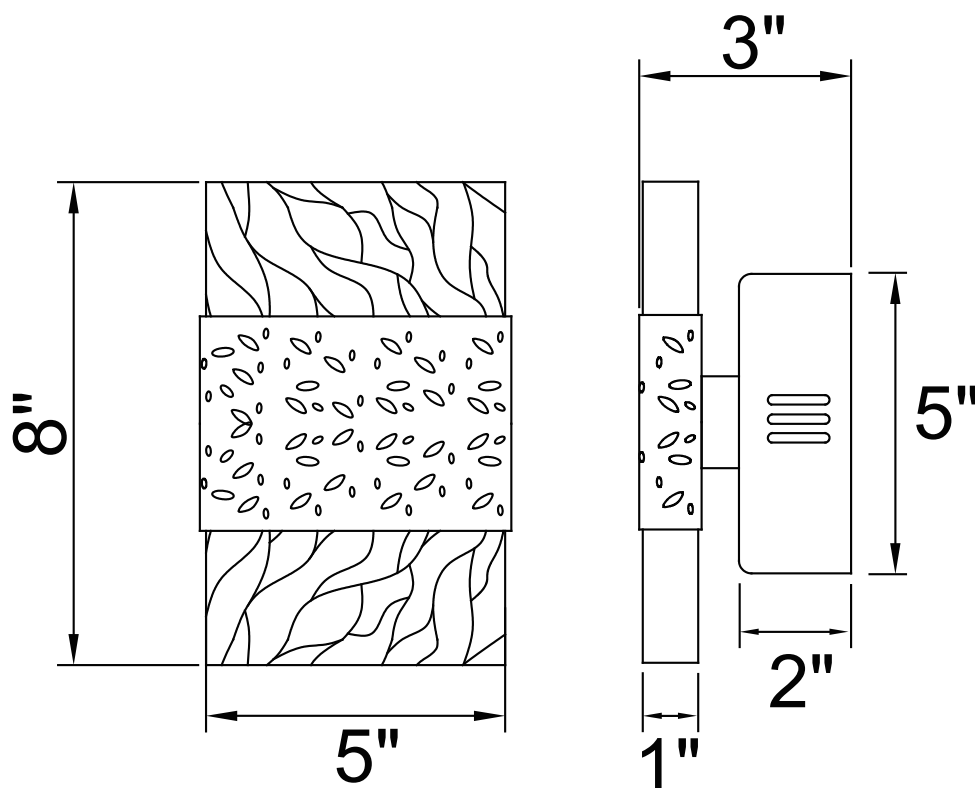
BRIGHTER LIVING. SIMPLIFIED.

PROJECT: \_\_\_\_\_

FIXTURE TYPE: \_\_\_\_\_

LOCATION: \_\_\_\_\_

CONTACT/PHONE: \_\_\_\_\_



Item	1090W5-1-620
Collection	CAROLINA
Finish	Gold Leaf
Glass	Clear
Crystal	-----
Input	120V AC,60HZ,AC

Shade	-----
Length/Dia.	5"
Width/Ext.	3"
Height	8"
Maximum	-----
Lumens	450

Light Source	LED
Bulb Info.	10W
Included	-----
Dimmable	No
Color	3000K
Weight	1.5KG