

# CWI LIGHTING

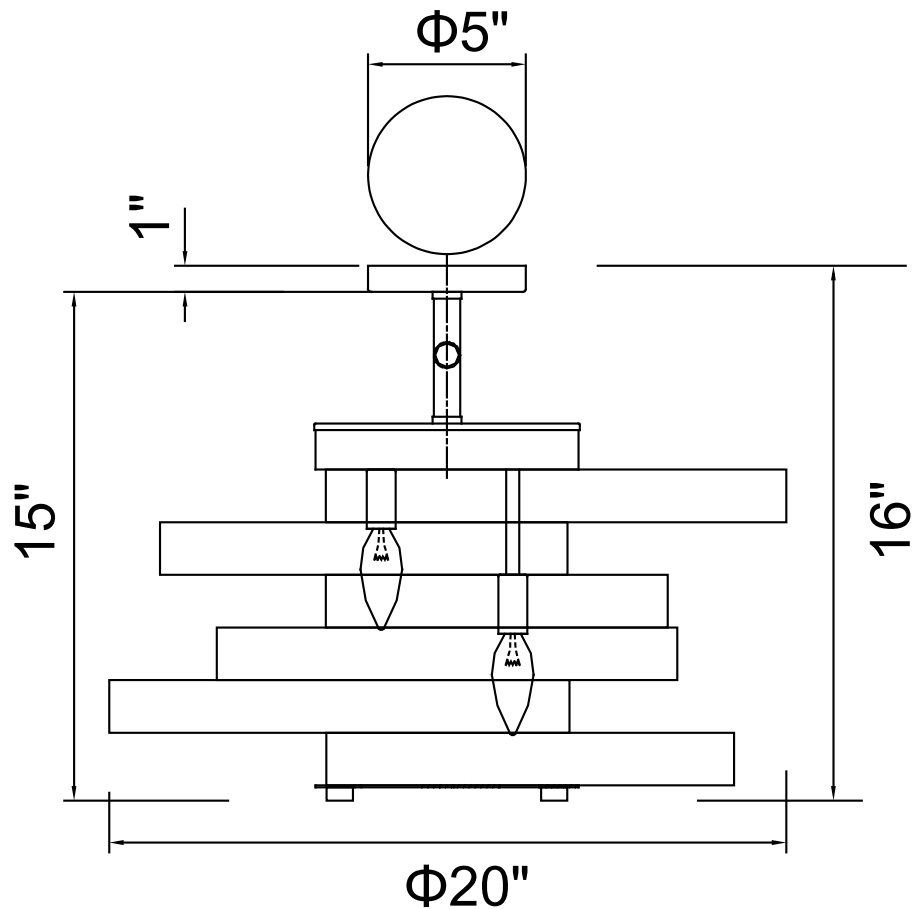
BRIGHTER LIVING. SIMPLIFIED.

PROJECT: \_\_\_\_\_

FIXTURE TYPE: \_\_\_\_\_

LOCATION: \_\_\_\_\_

CONTACT/PHONE: \_\_\_\_\_



Item	1068C20-3-620
Collection	ELIZABETTA
Finish	Gold Leaf
Glass	-----
Crystal	-----
Input	120V AC,60HZ,AC

Shade	-----
Length/Dia.	20"
Width/Ext.	-----
Height	15"
Maximum	16"
Lumens	-----

Light Source	E12
Bulb Info.	3×60W
Included	-----
Dimmable	No
Color	-----
Weight	4.3KG