

# CWI LIGHTING

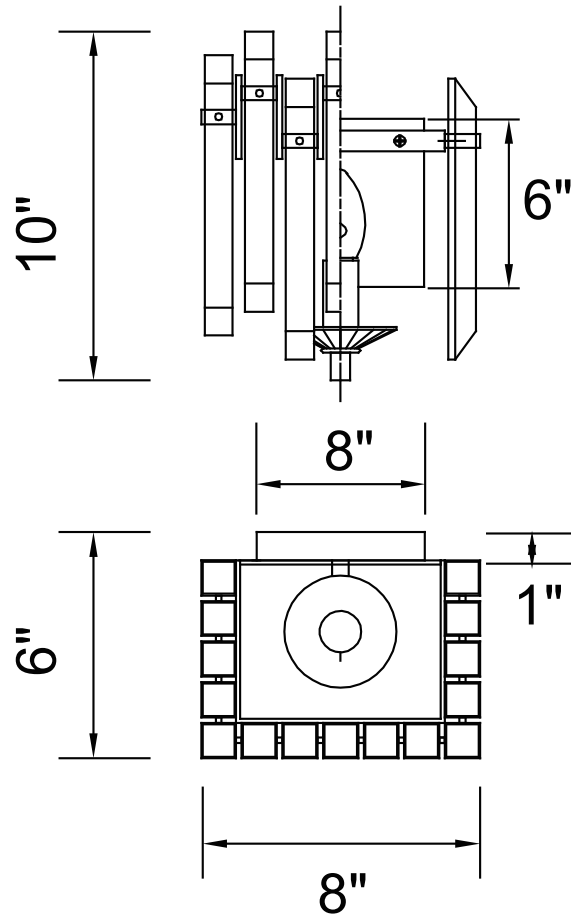
BRIGHTER LIVING. SIMPLIFIED.

PROJECT: \_\_\_\_\_

FIXTURE TYPE: \_\_\_\_\_

LOCATION: \_\_\_\_\_

CONTACT/PHONE: \_\_\_\_\_



Item	1065W8-1-601
Collection	HENRIETTA
Finish	Chrome
Glass	-----
Crystal	-----
Input	120V AC,60HZ,AC

Shade	-----
Length/Dia.	8"
Width/Ext.	6"
Height	10"
Maximum	10"
Lumens	-----

Light Source	E12
Bulb Info.	1×60W
Included	-----
Dimmable	No
Color	-----
Weight	3.2KG