

CWI LIGHTING

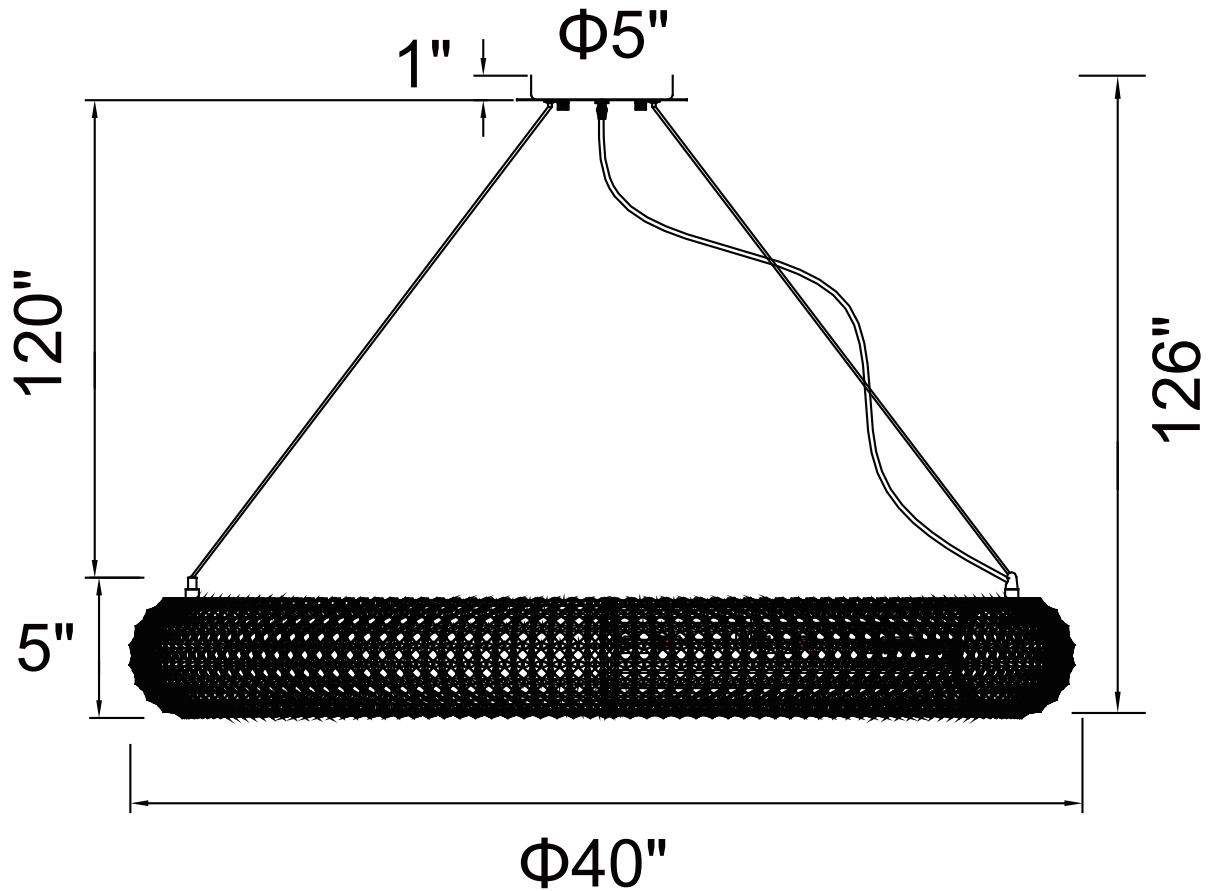
BRIGHTER LIVING. SIMPLIFIED.

PROJECT: _____

FIXTURE TYPE: _____

LOCATION: _____

CONTACT/PHONE: _____



Item	1057P40-16-601
Collection	VERONIQUE
Finish	Chrome
Glass	-----
Crystal	-----
Input	120V AC,60HZ,AC

Shade	-----
Length/Dia.	40"
Width/Ext.	40"
Height	5"
Maximum	126"
Lumens	-----

Light Source	G9
Bulb Info.	9×40W
Included	-----
Dimmable	No
Color	-----
Weight	17.0KG