

CWI LIGHTING

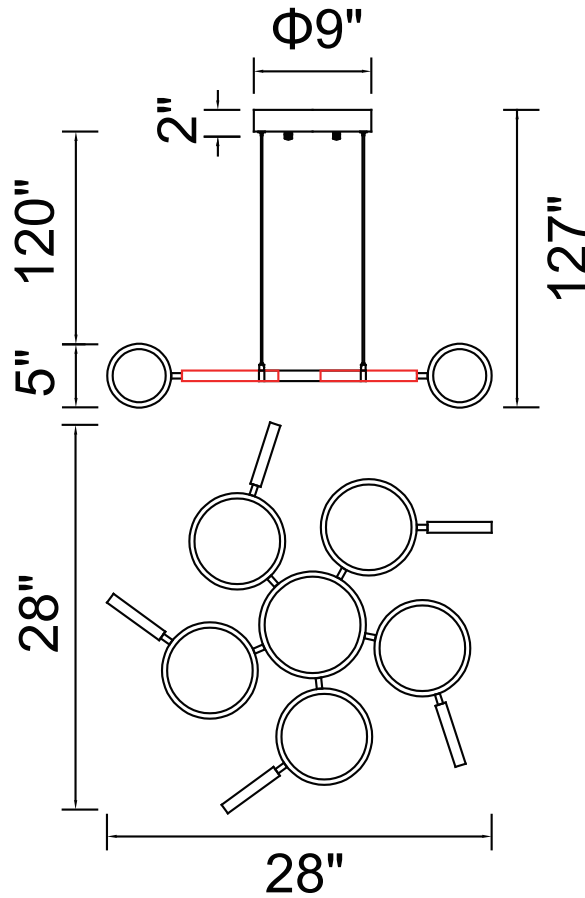
BRIGHTER LIVING. SIMPLIFIED.

PROJECT: _____

FIXTURE TYPE: _____

LOCATION: _____

CONTACT/PHONE: _____



| | |
|------------|-----------------|
| Item | 1054P28-601 |
| Collection | FRANCESSCA |
| Finish | Chrome |
| Glass | ----- |
| Crystal | Clear |
| Input | 120V AC,60HZ,AC |

| | |
|-------------|-------|
| Shade | ----- |
| Length/Dia. | 28" |
| Width/Ext. | ----- |
| Height | 28" |
| Maximum | 127" |
| Lumens | 1200 |

| | |
|--------------|-------|
| Light Source | LED |
| Bulb Info. | 48W |
| Included | ----- |
| Dimmable | No |
| Color | 3000K |
| Weight | 2.5KG |