

CWI LIGHTING

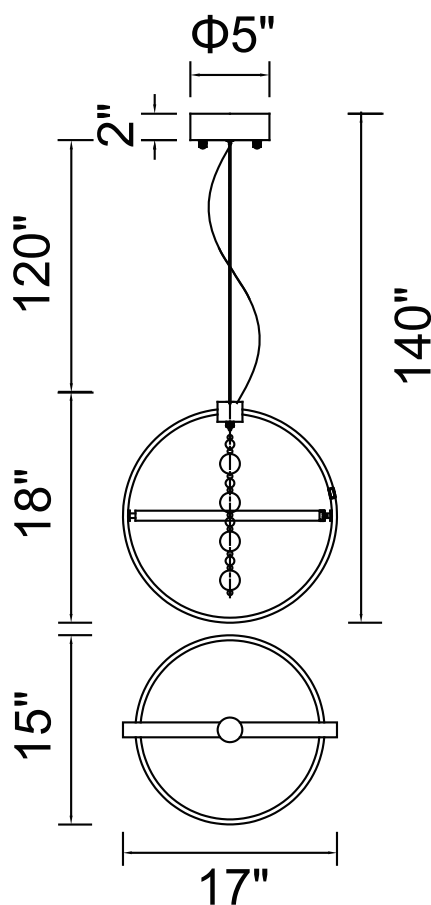
BRIGHTER LIVING. SIMPLIFIED.

PROJECT: _____

FIXTURE TYPE: _____

LOCATION: _____

CONTACT/PHONE: _____



Item	1054P17-601
Collection	FRANCESSCA
Finish	Chrome
Glass	-----
Crystal	Clear
Input	120V AC,60HZ,AC

Shade	-----
Length/Dia.	18"
Width/Ext.	15"
Height	18"
Maximum	140"
Lumens	-----

Light Source	LED
Bulb Info.	12W
Included	-----
Dimmable	No
Color	3000K
Weight	1.5KG