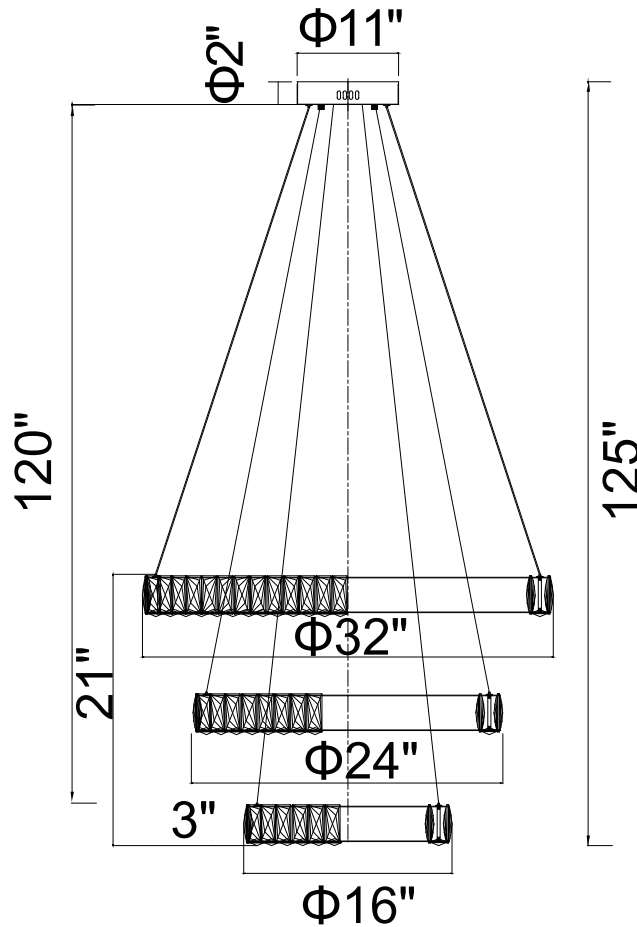


# CWI LIGHTING

BRIGHTER LIVING. SIMPLIFIED.

PROJECT: \_\_\_\_\_  
 FIXTURE TYPE: \_\_\_\_\_  
 LOCATION: \_\_\_\_\_  
 CONTACT/PHONE: \_\_\_\_\_



Item	1044P32-601-R-3C
Collection	MADELINE
Finish	Chrome
Glass	-----
Crystal	Clear
Input	120V AC,60HZ,AC

Shade	-----
Length/Dia.	32"
Width/Ext.	-----
Height	21"
Maximum	125"
Lumens	5500

Light Source	LED
Bulb Info.	140W
Included	-----
Dimmable	No
Color	4000K
Weight	18.0KG