

# CWI LIGHTING

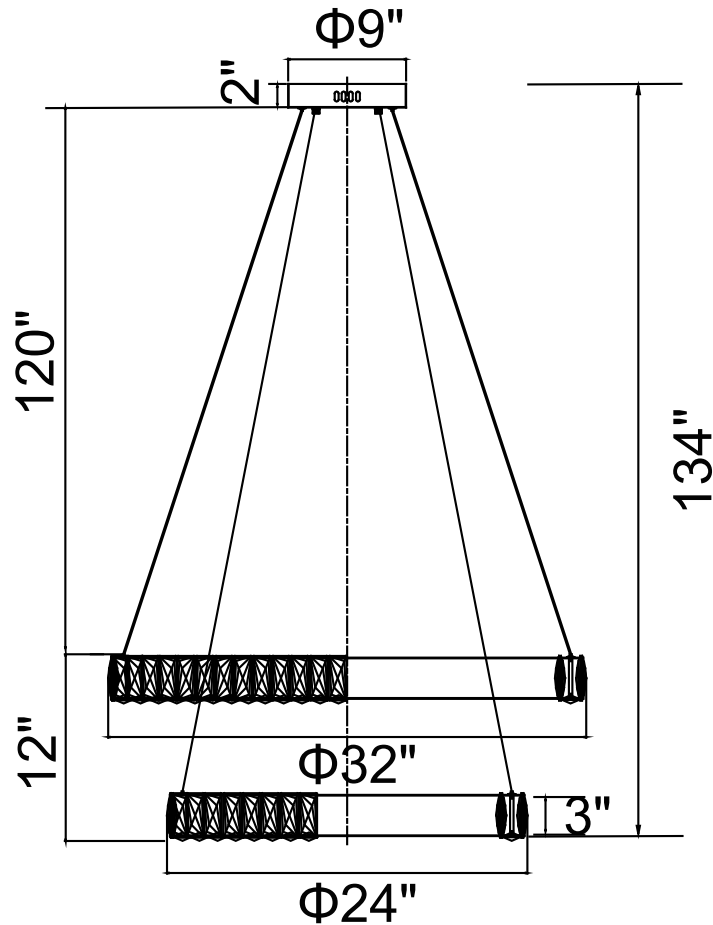
BRIGHTER LIVING. SIMPLIFIED.

PROJECT: \_\_\_\_\_

FIXTURE TYPE: \_\_\_\_\_

LOCATION: \_\_\_\_\_

CONTACT/PHONE: \_\_\_\_\_



|            |                    |
|------------|--------------------|
| Item       | 1044P32-601-R-2C-B |
| Collection | MADELINE           |
| Finish     | Chrome             |
| Glass      | -----              |
| Crystal    | Clear              |
| Input      | 120V AC,60HZ,AC    |

|             |       |
|-------------|-------|
| Shade       | ----- |
| Length/Dia. | 32"   |
| Width/Ext.  | ----- |
| Height      | 12"   |
| Maximum     | 134"  |
| Lumens      | 4000  |

|              |        |
|--------------|--------|
| Light Source | LED    |
| Bulb Info.   | 100W   |
| Included     | -----  |
| Dimmable     | No     |
| Color        | 4000K  |
| Weight       | 14.5KG |