

CWI LIGHTING

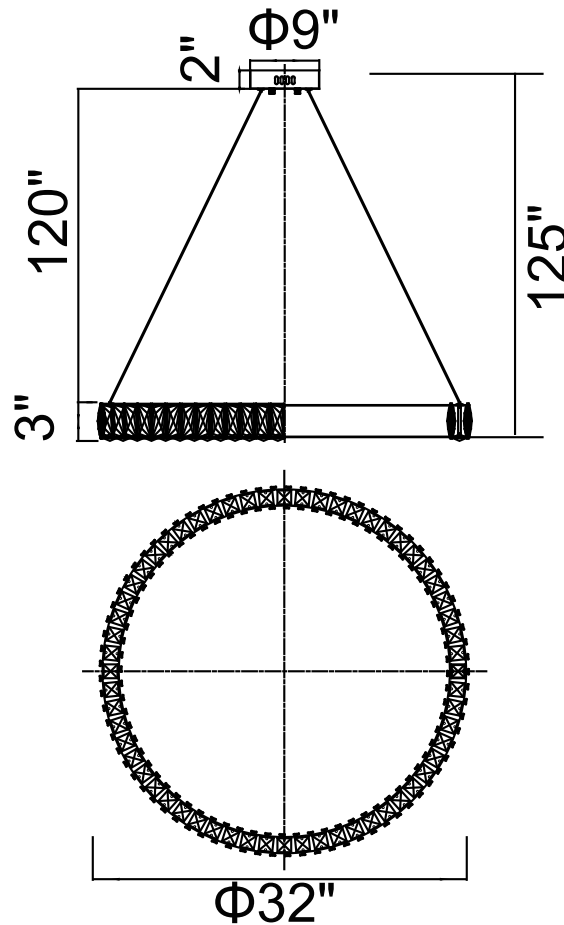
BRIGHTER LIVING. SIMPLIFIED.

PROJECT: _____

FIXTURE TYPE: _____

LOCATION: _____

CONTACT/PHONE: _____



Item	1044P32-601-R-1C
Collection	MADELINE
Finish	Chrome
Glass	-----
Crystal	Clear
Input	120V AC,60HZ,AC

Shade	-----
Length/Dia.	32"
Width/Ext.	-----
Height	3"
Maximum	125"
Lumens	2900

Light Source	LED
Bulb Info.	72W
Included	-----
Dimmable	No
Color	4000K
Weight	9.0KG