

# CWI LIGHTING

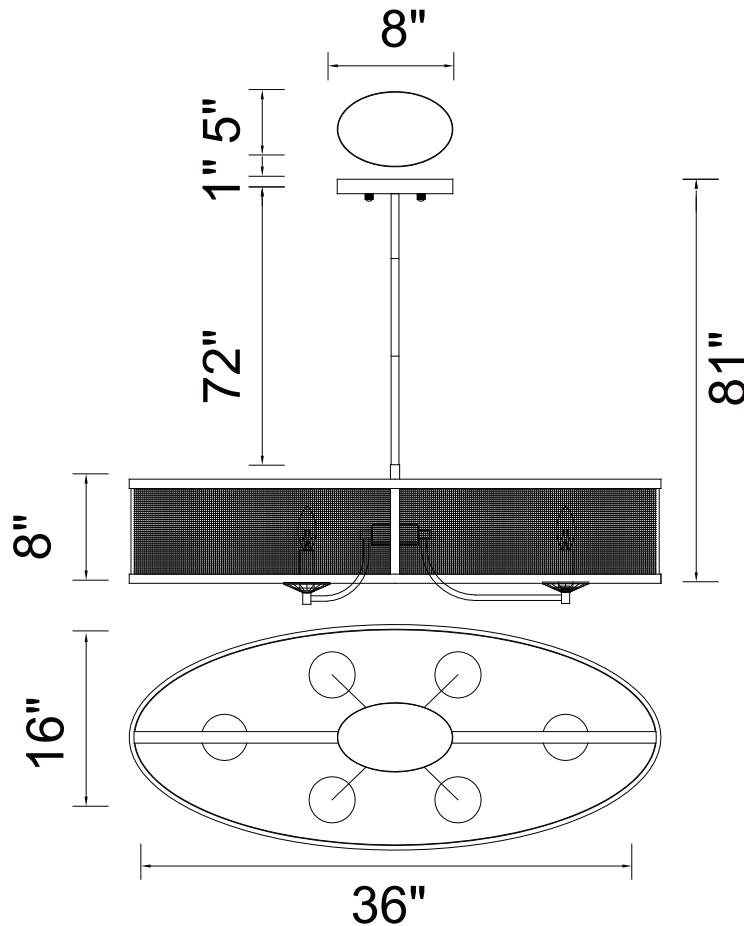
BRIGHTER LIVING. SIMPLIFIED.

PROJECT: \_\_\_\_\_

FIXTURE TYPE: \_\_\_\_\_

LOCATION: \_\_\_\_\_

CONTACT/PHONE: \_\_\_\_\_



Item	1035P36-6-606
Collection	NAVAH
Finish	Satin Nickle
Glass	-----
Crystal	Clear
Input	120V AC,60HZ,AC

Shade	-----
Length/Dia.	36"
Width/Ext.	16"
Height	8"
Maximum	81"
Lumens	-----

Light Source	E12
Bulb Info.	6x60W
Included	-----
Dimmable	No
Color	-----
Weight	3.7KG