

# CWI LIGHTING

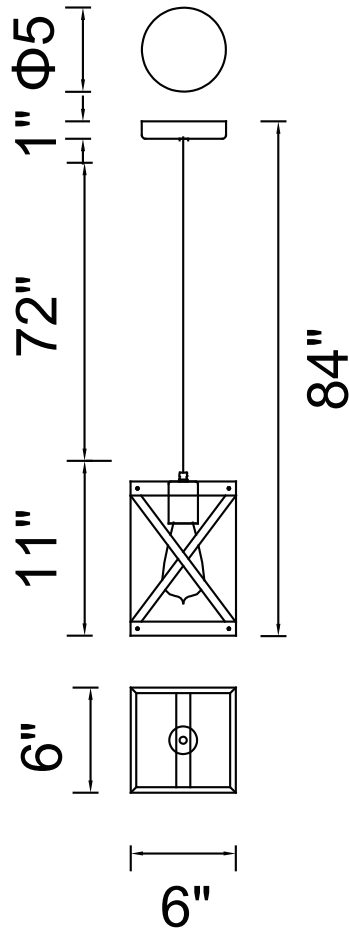
BRIGHTER LIVING. SIMPLIFIED.

PROJECT: \_\_\_\_\_

FIXTURE TYPE: \_\_\_\_\_

LOCATION: \_\_\_\_\_

CONTACT/PHONE: \_\_\_\_\_



Item	1033P6-1-230
Collection	MARINI
Finish	Wood Grain Brown
Glass	-----
Crystal	-----
Input	120V AC,60HZ,AC

Shade	-----
Length/Dia.	6"
Width/Ext.	6"
Height	11"
Maximum	84"
Lumens	-----

Light Source	E26
Bulb Info.	1x60W
Included	-----
Dimmable	No
Color	-----
Weight	1.2KG