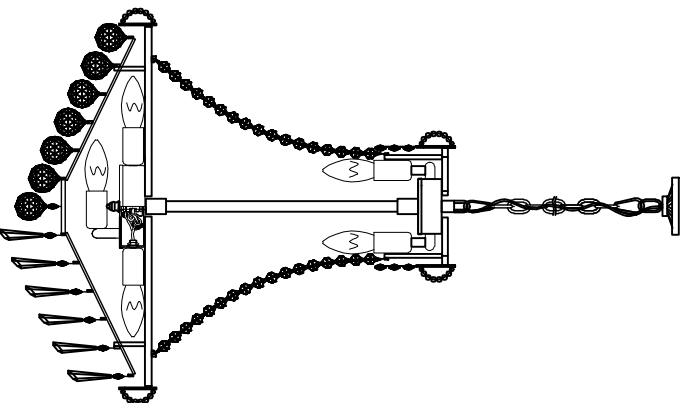



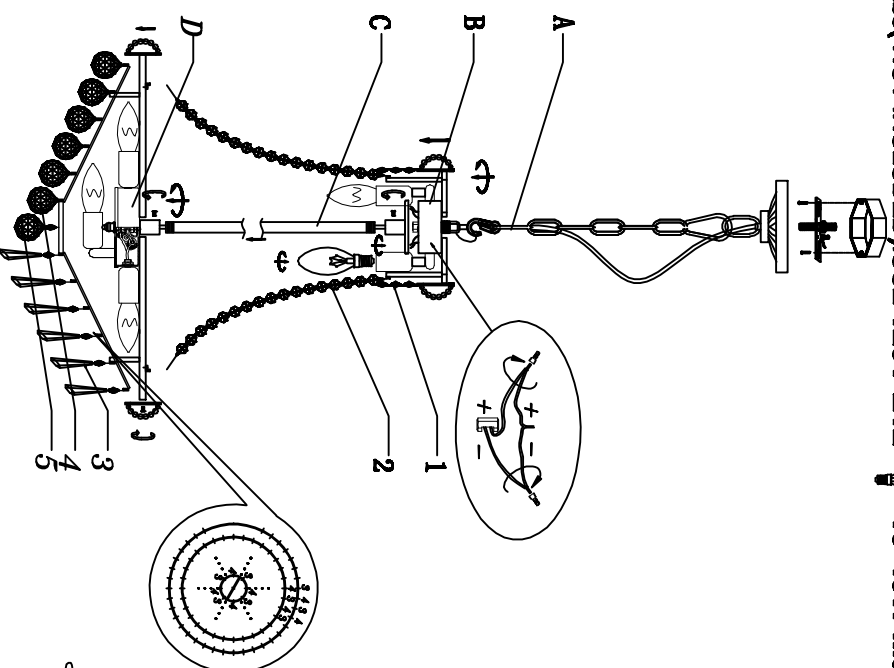
Trade Mark:  
CRYSTAL WORLD INC






Product Name: Pendant lamp  
Model :8040P24C  
120Vac, 60Hz,AC ONLY  
Lamp Size:Ø24"X28"H



### PENDANT LAMP ASSEMBLY INSTRUCTIONS

- 1.Screw part (C) onto the part (D) secure with screw.
- 2.Screw part (B) onto the part (C) secure with screw.
- 3.Please fix (A) with (B).
- 4.Please wear gloves when you hanging the crystal.
- 5.Install bulbs ( NOT INCLUDED) USE 120V E12  13\*40W Max.



- 1  1.4mm\*3pcs 3/4sets
- 2  1.4mm\*17pcs 3/3sets
- 3  1.4mm\*1pcs 8/4sets
- 4  4.0mm\*1PCS 8/4sets
- 5  1.4mm\*1PCS 4/0mm\*1PCS 1sets