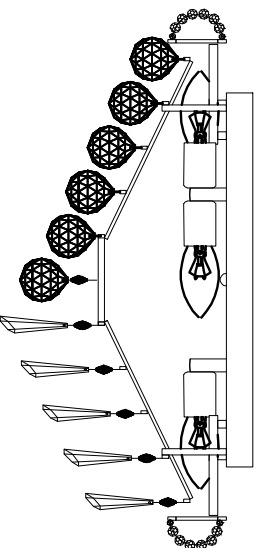


Trade Mark:  
CRYSTAL WORLD INC

Product Name: Ceiling lamp  
Model :8040C20C  
120Vac, 60Hz, AC ONLY  
Lamp size:Ø20"XH9"

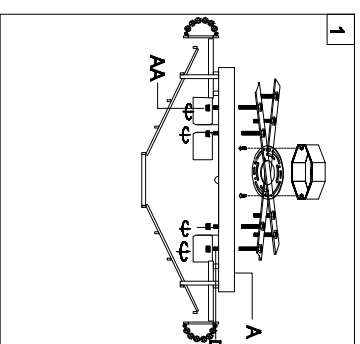


## CEILING LAMP ASSEMBLY INSTRUCTIONS

1. Place fixture(A) onto mounting screws (DD), secure with cap nuts (AA).







### Hardware Used

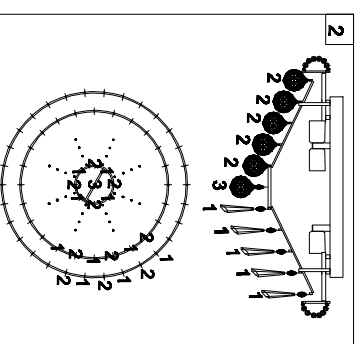
AA Cap nut		X 4
DD Mounting screw		X 4



2. Please open the clear plastic bag carefully and put the crystal(1)(2)(3) to the fixture.



1		1 PCS	2		1 PCS	3		1 PCS
60PCS		1 PCS	60PCS		1 PCS	60PCS		1 PCS



3. Install light bulbs (not included).  
Use bulb  
**120V E12 7\*40W Max.**

