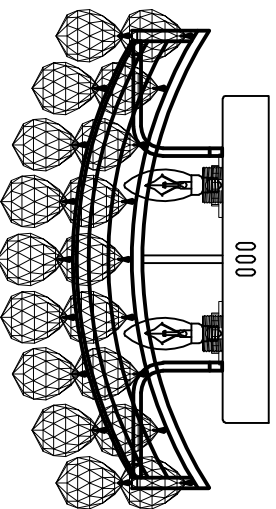


Trade Mark:
CRYSTAL WORLD INC

Product Name: Ceiling lamp
Model :8038C14C-S
120V/ac, 60HZ,AC ONLY
Lamp size:L14"XL14"XH8"

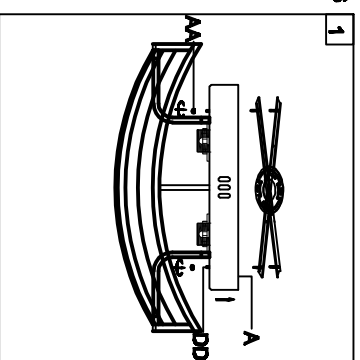


CEILING LAMP ASSEMBLY INSTRUCTIONS

1. Place fixture(A) onto mounting screws (DD), secure with cap nuts (AA).

Hardware Used

AA Cap nut	⊖	X 4
DD Mounting screw	⌒	X 4

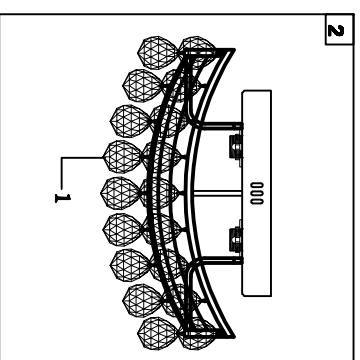


2. Please put the crystal (1) to the fixture .

1
40mm*1pcs



81PCS



3. Install light bulbs (not included).
Use bulb
120V E12 4*40W Max.

