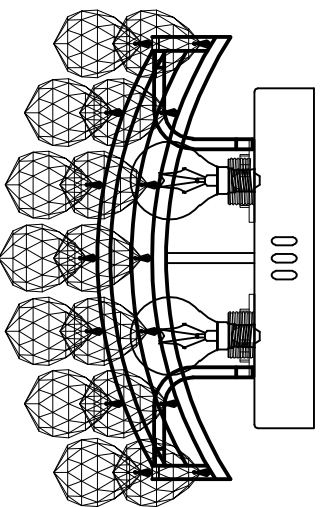


Trade Mark:
CRYSTAL WORLD INC

Product Name: Ceiling lamp
Model :8038C10C-S
120V_{ac}, 60Hz,AC ONLY
Lamp size:L10"XL10"XH7"

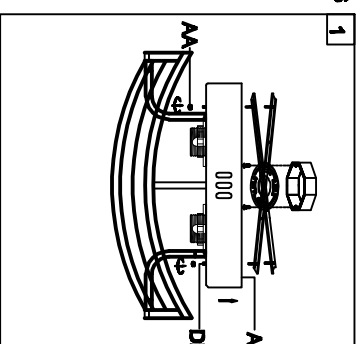


CEILING LAMP ASSEMBLY INSTRUCTIONS

1. Place fixture(A) onto mounting screws (DD), secure with cap nuts (AA).

Hardware Used

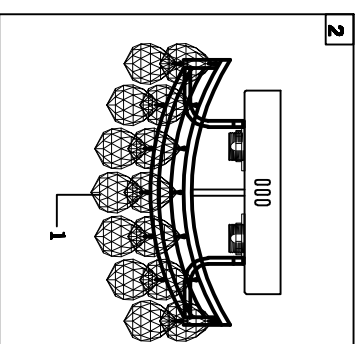
AA Cap nut		X 4
DD Mounting screw		X 4




2. Please put the crystal (1) to the fixture .

1
 40mm*1pcs

49PCS



3. Install light bulbs (not included).
Use bulb
120V E12  4*40W Max.

