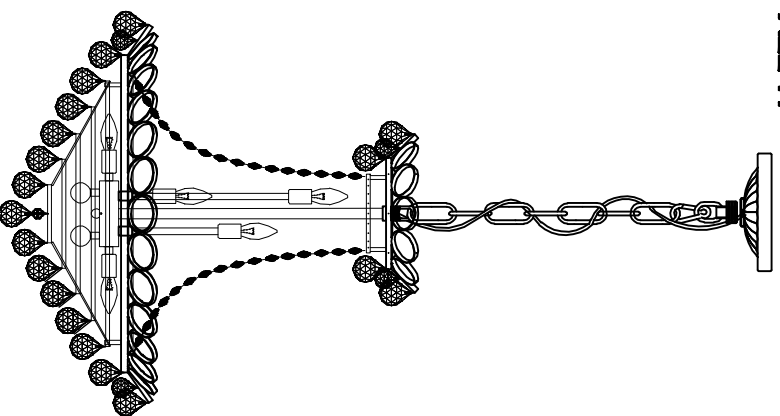


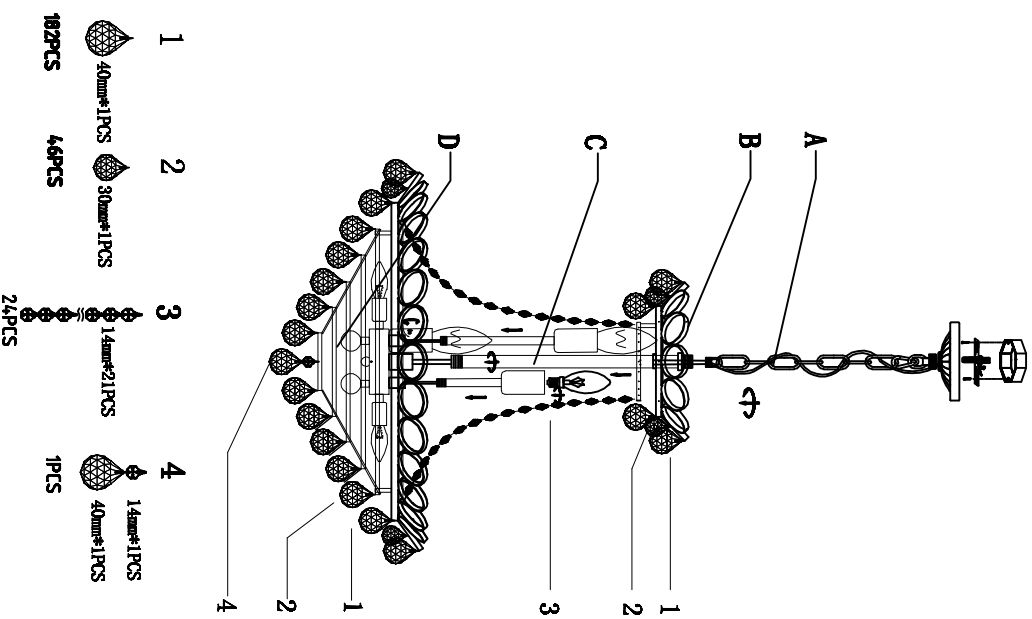
Trade Mark:  
CRYSTAL WORLD INC



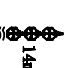

Product Name: Pendant lamp  
Model :8008P24  
120Vac, 60Hz,AC ONLY  
Lamp Size:ø24"X22"H



## PENDANT LAMP ASSEMBLY INSTRUCTIONS

1. Screw part(C) onto the lampbody(D) secure with screw.
2. Screw part(A) onto (C) and (B) onto (C) secure with screw.
3. Please wear gloves when you hanging the crystal.
4. Install bulbs( NOT INCLUDED);USE 120V E12  11\*40W Max.



- |   |   |       |            |        |
|---|---|-------|------------|--------|
| 1 |  | 1PCS  | 40mm*1PCS  | 102PCS |
| 2 |  | 1PCS  | 30mm*1PCS  | 46PCS  |
| 3 |  | 21PCS | 14mm*21PCS | 24PCS  |
| 4 |  | 1PCS  | 14mm*1PCS  | 1PCS   |

