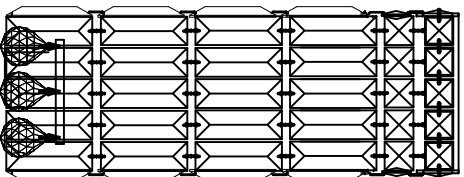


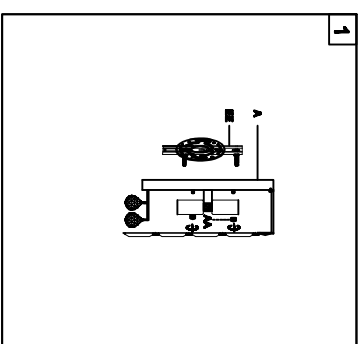
Trade Mark:
CRYSTAL WORLD INC

Product Name: Wall lamp
Model :8007W5C
120Vac, 60HZ,AC ONLY
Lamp Size:W5**16"H*5"E



WALL LAMP ASSEMBLY INSTRUCTIONS

1. Place fixture(A) onto crossbar (EE).
Secure with cap nuts (AA).

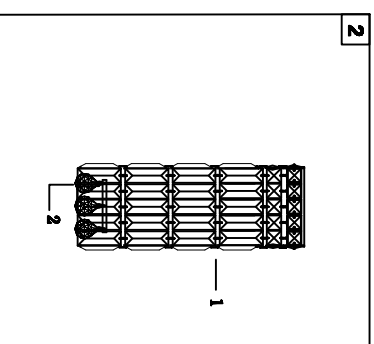


Hardware Used

AA Cap nut 2 X 2

2. Please hang the crystal(1) (2) to the fixture .

1 22mm*1PC
63mm*4PCS
2 30mm*1PCS
6pcs



3. Install light bulbs (not included).
Use bulb
120V E12 2*40W Max.

