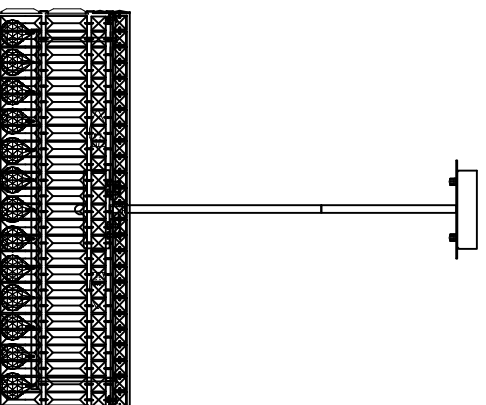


Trade Mark:  
CRYSTAL WORLD INC

Product Name: Pendant lamp  
Model :8006P20C-R  
120Vac, 60Hz,AC ONLY  
Lamp Size:Ø20"\*H48"

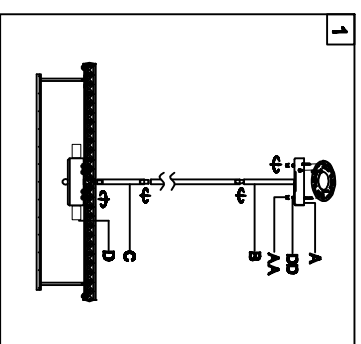


## PENDANT LAMP ASSEMBLY INSTRUCTIONS

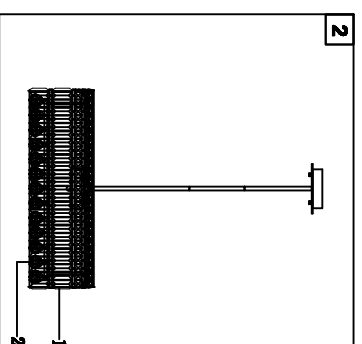
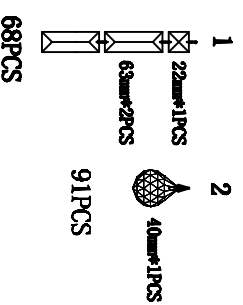
1. Place fixture(A) onto mounting screws (DD), secure with cap nuts (AA). Please fix (A) with (B), (B) with (C), (C) with (D).


### Hardware Used

AA Cap nut	a	X 2
DD Mounting screw		X 2



2. Please hang the crystal (1) (2) to the fixture .



3. Install light bulbs ( not included).  
Use bulb  
**120V G9**  **8\*40W Max.**

