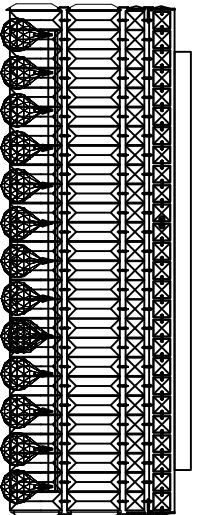


## CEILING LAMP ASSEMBLY INSTRUCTIONS

Trade Mark:  
CRYSTAL WORLD INC

Product Name: Ceiling lamp  
Model :8006C24C-R  
120Vac, 60Hz,AC ONLY  
Lamp size:Ø20"XH9"

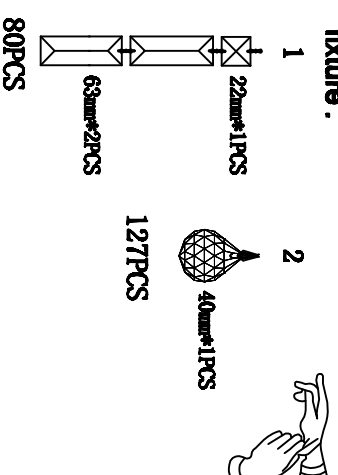


1. Place fixture(A) onto mounting screws (DD), secure with cap nuts (AA).

### Hardware Used

|                   |  |     |
|-------------------|--|-----|
| AA Cap nut        | ⊖  | X 4 |
| DD Mounting screw |  | X 4 |

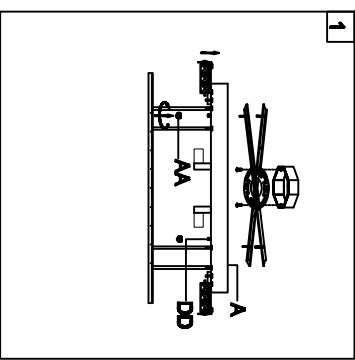
2. Please put the crystal (1) (2) to the fixture .



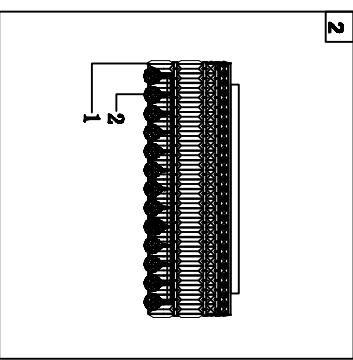
3. Install light bulbs ( not included).

Use bulb  
120V E12 9\*40W Max.

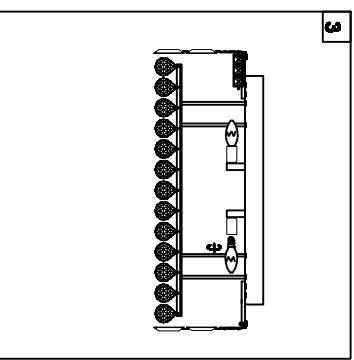
1



2



3



  
c<sub>UL</sub> us  
Intertek  
4006677