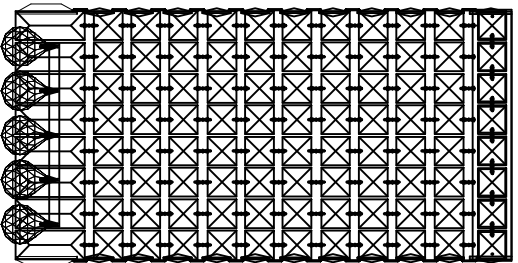


Trade Mark:
CRYSTAL WORLD INC

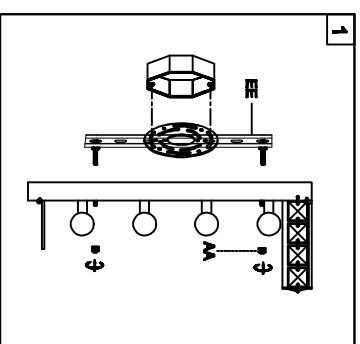
Product Name: Wall Lamp
Model :8005W6C
120Vac, 60Hz,AC ONLY
Lamp Size:W6"xH12"xE5"



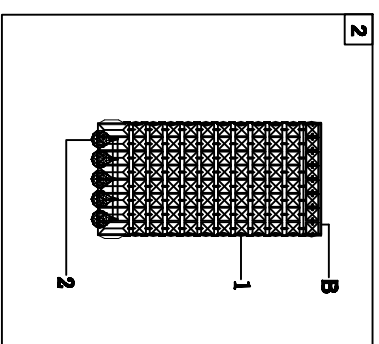
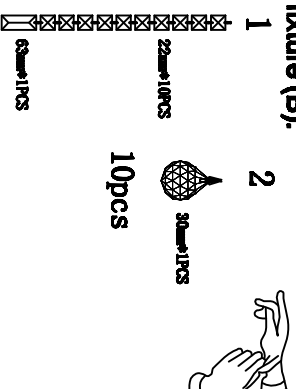
WALL LAMP ASSEMBLY INSTRUCTIONS

1. Place fixture(A) onto crossbar (EE).
Secure with cap nuts (AA).

Hardware Used
AA Cap nut A X 2



2. Please hang the crystal(1) (2) to the fixture (B).



3. Install light bulbs (not included).
Use bulb
120V E12 4*40W Max.

