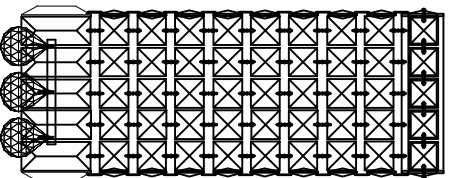


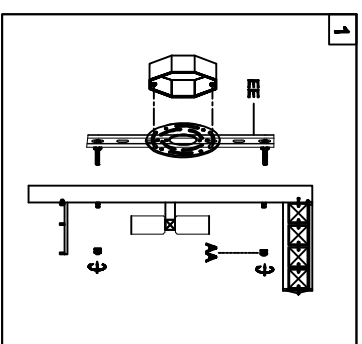
Trade Mark:
CRYSTAL WORLD INC

Product Name: Wall Lamp
Model :8005W5C
120Vac, 60Hz,AC ONLY
Lamp Size:\W5"XH12"XE3"



WALL LAMP ASSEMBLY INSTRUCTIONS

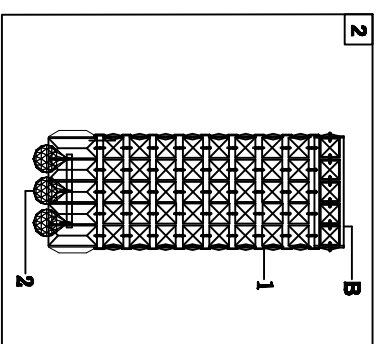
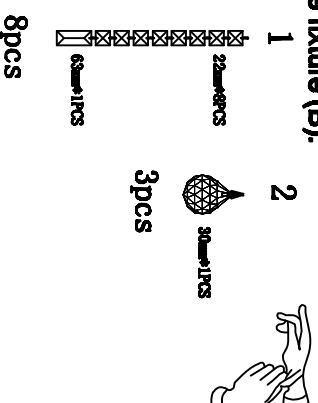
1. Place fixture(A) onto crossbar (EE).
Secure with cap nuts (AA).



Hardware Used

AA Cap nut 2 X 2

2. Please hang the crystal(1) (2) to
the fixture (B).



3. Install light bulbs (not included).
Use bulb
120V E12 2* 40W Max.

