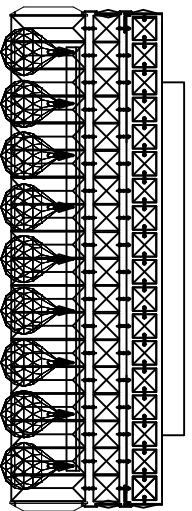


Trade Mark:
CRYSTAL WORLD INC

Product Name: Ceiling lamp
Model :8005C16C-S
120Vac, 60Hz,AC ONLY
Lamp size:L16"XW16"XH6"

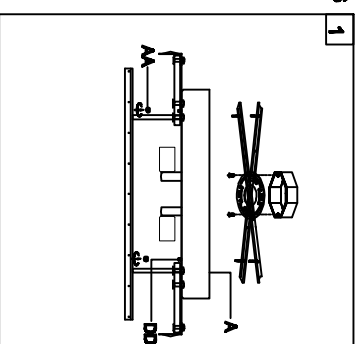


CEILING LAMP ASSEMBLY INSTRUCTIONS


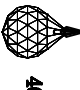
1. Place fixture(A) onto mounting screws (DD),secure with cap nuts (AA).

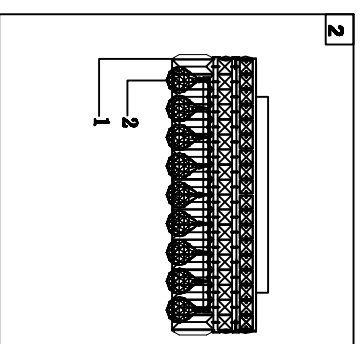
Hardware Used

AA Cap nut	⊖	X 4
DD Mounting screw		X 4

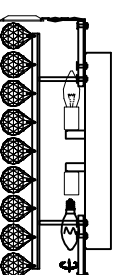


2. Please put the crystal (1) (2) to the fixture .

1		22mm*1PCS	2		40mm*1PCS
72pcs		63mm*1PCS	81pcs		



3. Install light bulbs (not included).
Use bulb
120V E12 5*40W Max.




C US
Intertek
4006677