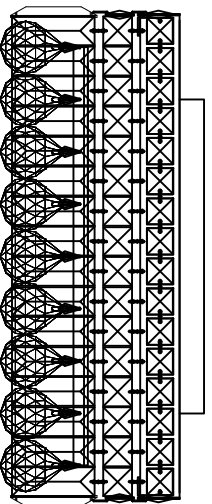


Trade Mark:  
CRYSTAL WORLD INC

Product Name: Ceiling lamp  
Model :8005C16C-R  
120Vac, 60Hz,AC ONLY  
Lamp size:Ø16"XH6"

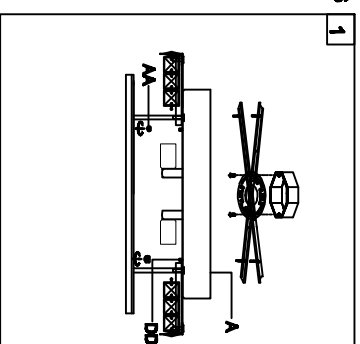


## CEILING LAMP ASSEMBLY INSTRUCTIONS



1. Place fixture(A) onto mounting screws (DD), secure with cap nuts (AA).

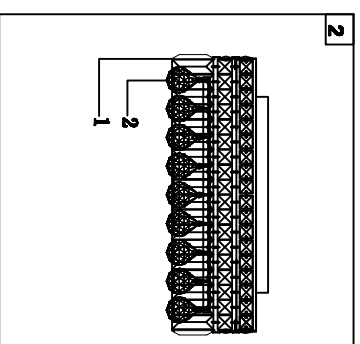
### Hardware Used

AA Cap nut	⊖	X 4
DD Mounting screw		X 4

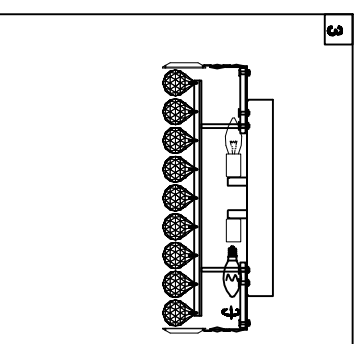


2. Please put the crystal (1) (2) to the fixture .

1		22mm*1PCS
		40mm*1PCS
56pcs		61pcs



3. Install light bulbs ( not included).  
Use bulb  
**120V E12 5\*40W Max.**



 C US  
Intertek  
4006677