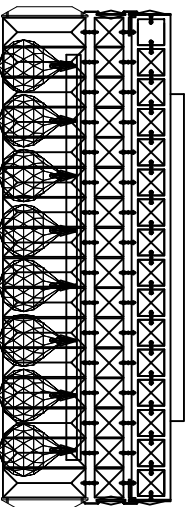


Trade Mark:  
CRYSTAL WORLD INC

Product Name: Ceiling lamp  
Model :8005C14C-S  
120V/ac, 60HZ,AC ONLY  
Lamp size:L14"XW14"XH6"

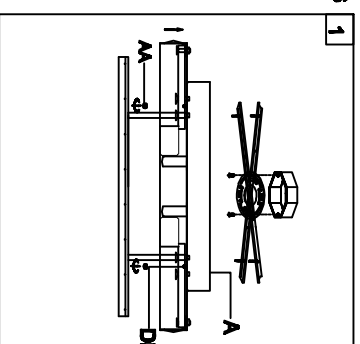


## CEILING LAMP ASSEMBLY INSTRUCTIONS

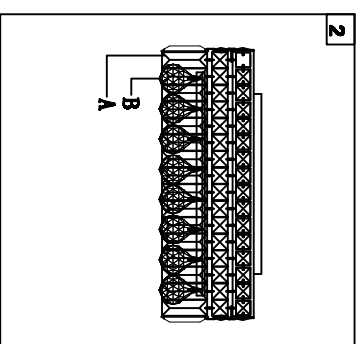
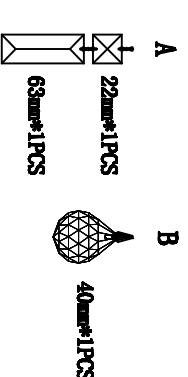
1. Place fixture(A) onto mounting screws (DD), secure with cap nuts (AA).

### Hardware Used

AA Cap nut	⊖	X 4
DD Mounting screw	⌘	X 4



2. Please put the crystal (A) (B) to the fixture .



3. Install light bulbs ( not included).  
Use bulb  
**120V E12 5\*40W Max.**

