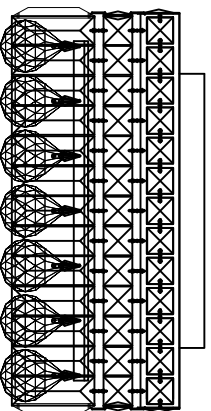


Trade Mark:  
CRYSTAL WORLD INC

Product Name: Ceiling lamp  
Model :8005C12C-S  
120Vac, 60Hz,AC ONLY  
Lamp size:L12"XW12"XH6"

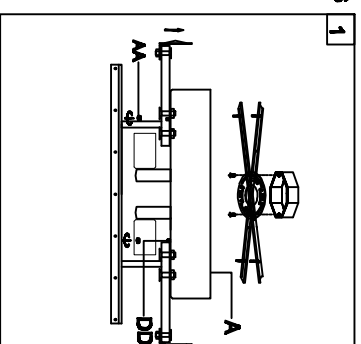


## CEILING LAMP ASSEMBLY INSTRUCTIONS



1. Place fixture(A) onto mounting screws (DD), secure with cap nuts (AA).

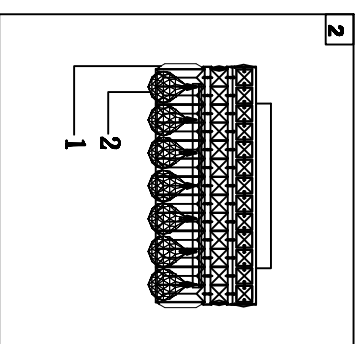
### Hardware Used

AA Cap nut	⊖	X 4
DD Mounting screw	⌘	X 4

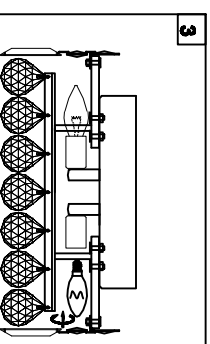


2. Please put the crystal (1) (2) to the fixture.

1		22mm*1PCS	2		40mm*1PCS
56pcs			49pcs		



3. Install light bulbs (not included).  
Use bulb  
**120V E12 4\*40W Max.**



  
C US  
Intertek  
4006677