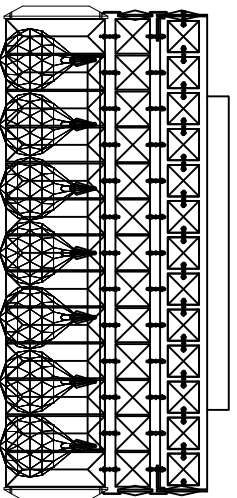


Trade Mark:
CRYSTAL WORLD INC

Product Name: Ceiling lamp
Model :8005C12C-R
120Vac, 60Hz,AC ONLY
Lamp size:Ø12"XH6"

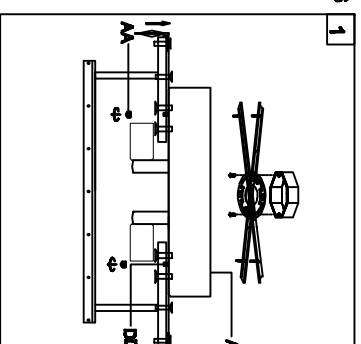


CEILING LAMP ASSEMBLY INSTRUCTIONS

1. Place fixture(A) onto mounting screws (DD), secure with cap nuts (AA).

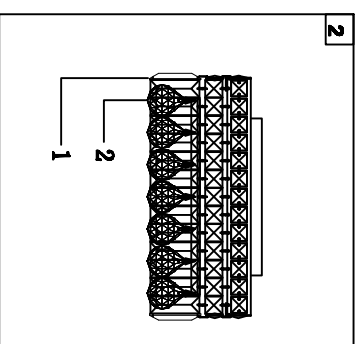
Hardware Used

AA Cap nut	⊖	X 4
DD Mounting screw	⌒	X 4



2. Please put the crystal (1) (2) to the fixture.

1		2	
44pcs	63mm x 1 PCS	37pcs	



3. Install light bulbs (not included).
Use bulb
120V E12 4*40W Max.

