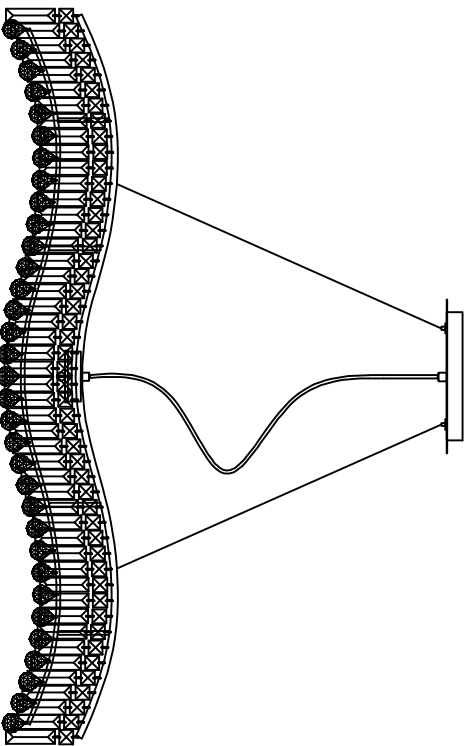


Trade Mark:
CRYSTAL WORLD INC

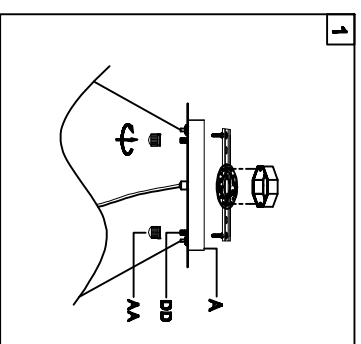
Product Name: Pendant lamp
Model :8004P44C-A
120Vac, 60Hz,AC ONLY
Lamp Size:L44"*W5"*48"H



PENDANT LAMP ASSEMBLY INSTRUCTIONS

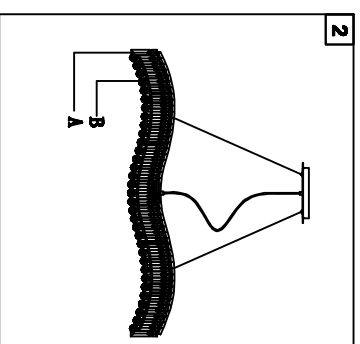
1.Place fixture(A)onto mounting screws (DD),secure with cap nuts (AA).

Hardware Used	
AA Cap nut	a X 2
DD Mounting screw	X 2



2.Please hang the crystal(A) (B) to the fixture .

A	B
22mm*1PCS	30mm*1PCS
76mm*1PCS	
100PCS	64PCS



3.Install light bulbs (not included).
Use bulb
120V E12 7*40W Max.

