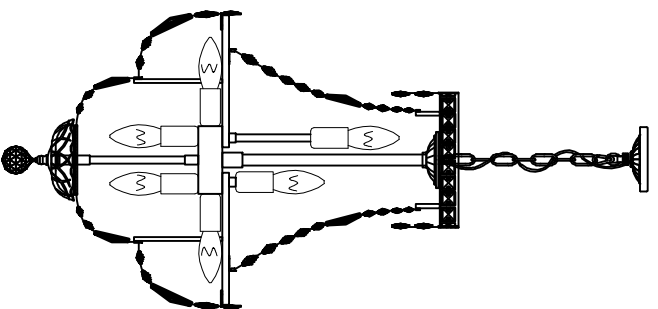



Trade Mark:
CRYSTAL WORLD INC

Product Name: Pendant lamp
Model :8003P18C
120Vac, 60HZ,AC ONLY
Lamp Size:Ø18"X26"H



PENDANT LAMP ASSEMBLY INSTRUCTIONS

- 1.Screw part (G) onto the part (E) secure with screw.
- 2.Screw part(E) and (F) onto the lamphody(D) secure with screw.
- 3.Screw part(B) onto (C) and (C) onto (D) secure with screw.
- 4.Please fix (A) with (B).
- 5.Please wear gloves when you hanging the crystal.
- 6.Install bulbs (NOT INCLUDED),USE 120V E12  8*40W Max.

