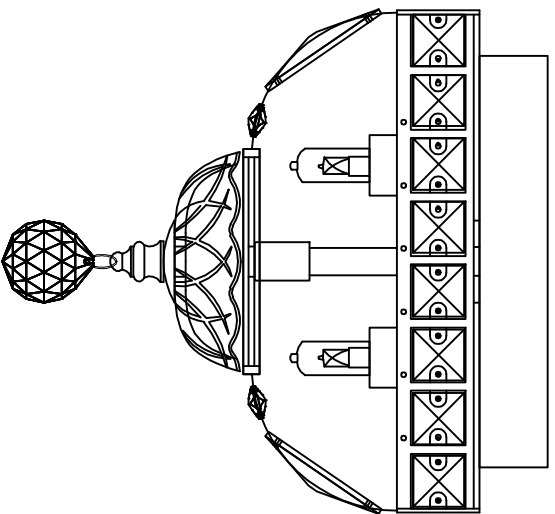


Trade Mark:
CRYSTAL WORLD INC

Product Name: Ceiling lamp
Model :8003C8C
120Vac, 60Hz,AC ONLY
Lamp size:Ø8"XH8"

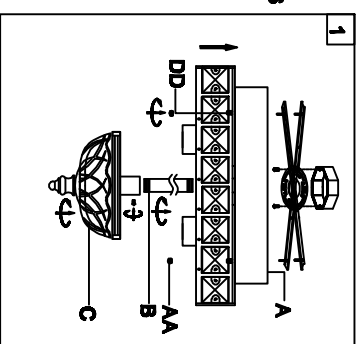


CEILING LAMP ASSEMBLY INSTRUCTIONS

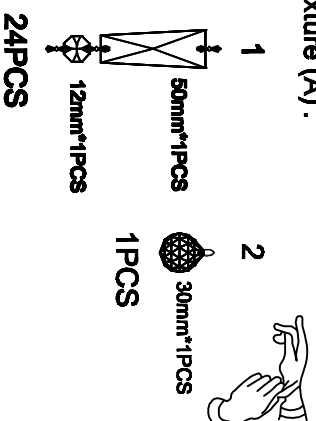
- 1.Place screw (C) onto (B).
- 2.Place screw (B) onto fixture(A).
- 3.Place fixture(A) onto mounting screws (DD),secure with cap nuts (AA).

Hardware Used

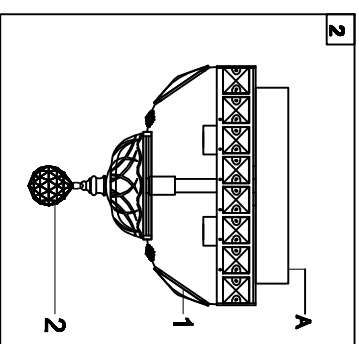
AA Cap nut	⊖	X 4
DD Mounting screw		X 4



- 2.Please put the crystal(1) (2) to the fixture (A).



1 50mm*1PCS
2 30mm*1PCS
1PCS
24PCS
12mm*1PCS



- 3.Install light bulbs (not included).
Use bulb
120V G9 2*40W Max.

