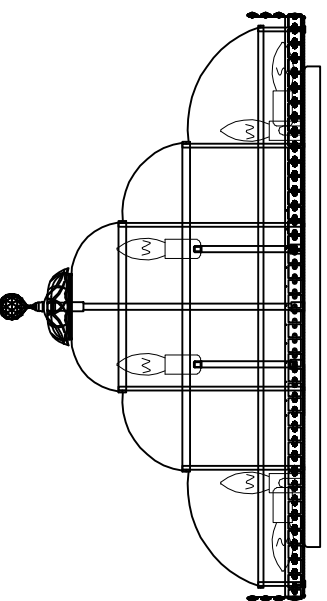


Trade Mark:
CRYSTAL WORLD INC

Product Name: Ceiling lamp
Model :8003C36C
120Vac, 60Hz,AC ONLY
Lamp size:Ø36"XH20"

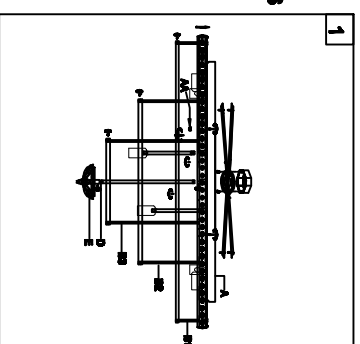


CEILING LAMP ASSEMBLY INSTRUCTIONS

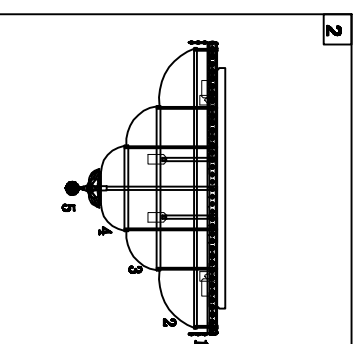
- 1.Place screw (B1,B2,B3) onto (A).
- 2.Place screw (E) onto (D) .
- 3.Place screw (D) onto (A) .
- 4.Place fixture(A) onto mounting screws (DD),secure with cap nuts (AA) .

Hardware Used

AA Cap nut	⊖	X 4
DD Mounting screw		X 4



- 2.Please put the crystal(1) (2) (3) to the fixture.



- 3.Install light bulbs (not included).
Use bulb
120V E12 22*40W Max.

