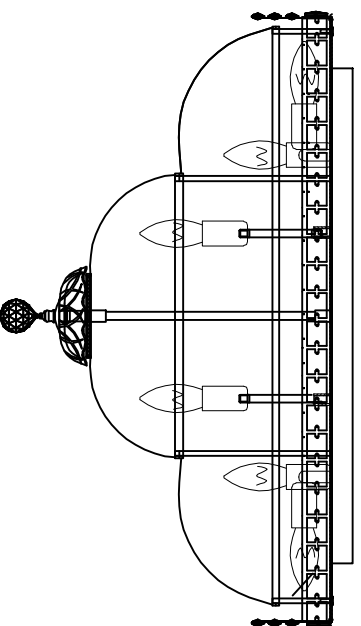


Trade Mark:
CRYSTAL WORLD INC

Product Name: Ceiling lamp
Model :8003C30C
120Vac, 60Hz,AC ONLY
Lamp size:Ø30"XH17"



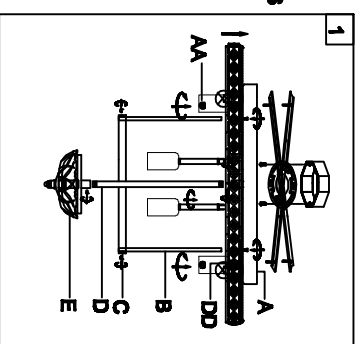
CEILING LAMP ASSEMBLY INSTRUCTIONS

- 1.Place screw (B) onto (A).
- 2.Place screw (E) onto (D) .
- 3.Place screw (D) onto (A) .
- 4.Place fixture(A) onto mounting screws (DD),secure with cap nuts (AA) .

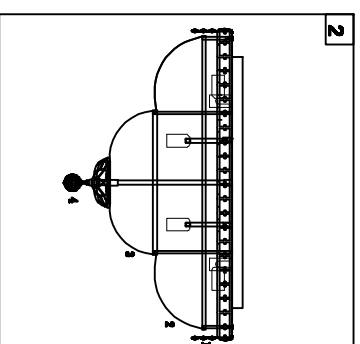
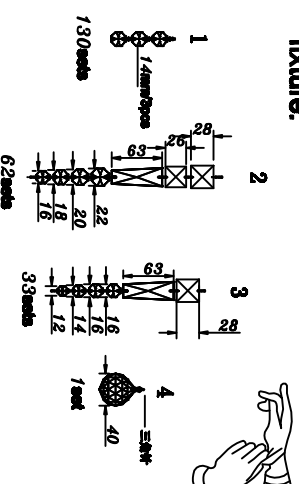
Hardware Used

AA Cap nut X 4

DD Mounting screw X 4



- 2.Please put the crystal(1,2,3,4) to the fixture.



- 3.Install light bulbs (not included).
Use bulb
120V E12 16*40W Max.

