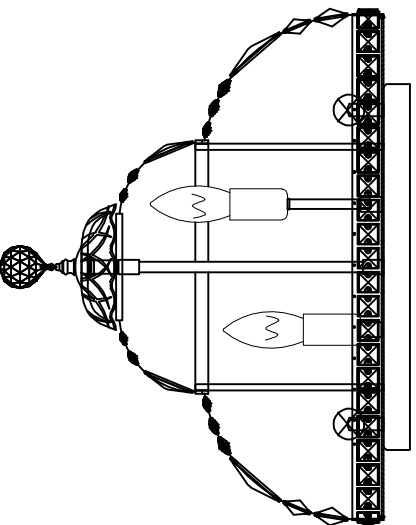


Trade Mark:  
CRYSTAL WORLD INC

Product Name: Ceiling lamp  
Model :8003C20C  
120Vac, 60Hz,AC ONLY  
Lamp size:Ø20"XH15"



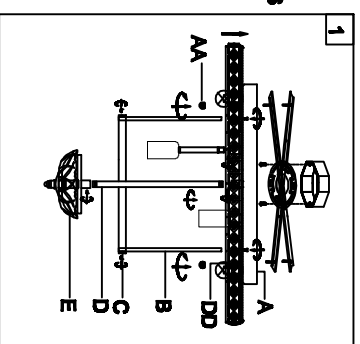
## CEILING LAMP ASSEMBLY INSTRUCTIONS

- 1.Place screw (B) onto (A).
- 2.Place screw (E) onto (D) .
- 3.Place screw (D) onto (A) .
- 4.Place fixture(A) onto mounting screws (DD),secure with cap nuts (AA) .

### Hardware Used

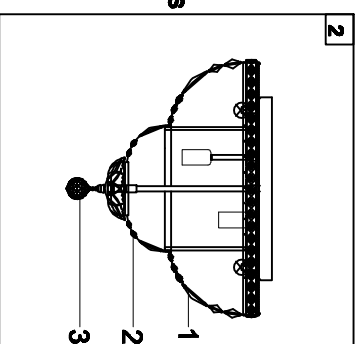
AA Cap nut                    X 4

DD Mounting screw                    X 4



- 2.Please put the crystal(1) (2) (3) to the fixture.

- |  |   |               |
|--|---|---------------|
| 1  | 2                                       | 3             |
| <br>32mm*1PCS<br>28mm*1PCS<br>63mm*1PCS      | <br>50mm*1PCS<br>14mm*1PCS<br>12mm*1PCS | <br>40mm*1PCS |
| 18mm*1PCS<br>16mm*1PCS<br>14mm*1PCS<br>43PCS | 33sets                                  | 1PCS          |



- 3.Install light bulbs ( not included).

Use bulb  
**120V E12 8\*40W Max.**

