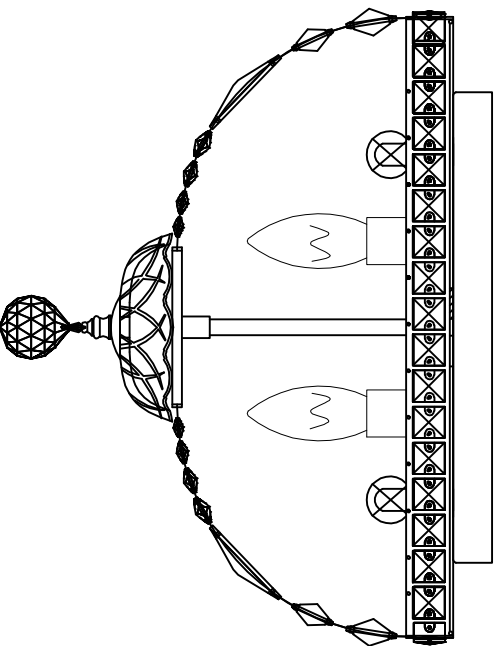


Trade Mark:
CRYSTAL WORLD INC

Product Name: Ceiling lamp
Model :8003C16C
120Vac, 60Hz,AC ONLY
Lamp size:Ø16"XH12"

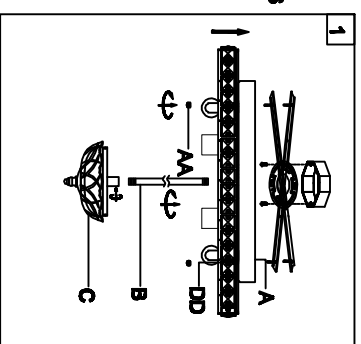


CEILING LAMP ASSEMBLY INSTRUCTIONS

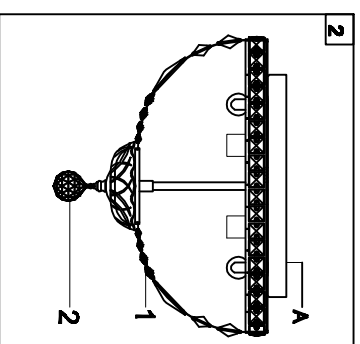
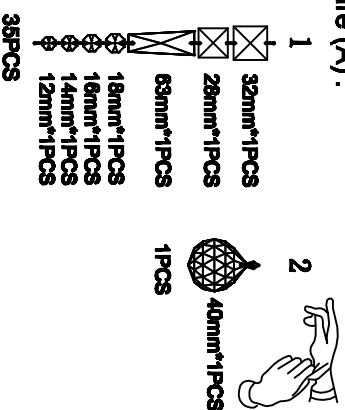
- 1.Place screw (C) onto (B).
- 2.Place screw (B) onto fixture(A).
- 3.Place fixture(A) onto mounting screws (DD),secure with cap nuts (AA).

Hardware Used

AA Cap nut	⊖	X 4
DD Mounting screw		X 4



- 2.Please put the crystal(1) (2) to the fixture (A).



- 3.Install light bulbs (not included).
Use bulb
120V E12 5*40W Max.

