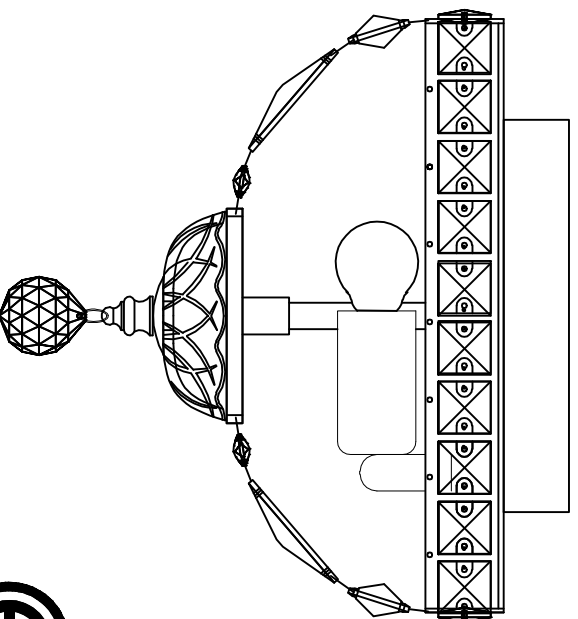


Trade Mark:  
CRYSTAL WORLD INC

Product Name: Ceiling lamp  
Model :8003C10C  
120Vac, 60Hz,AC ONLY  
Lamp size:Ø10"XH8"

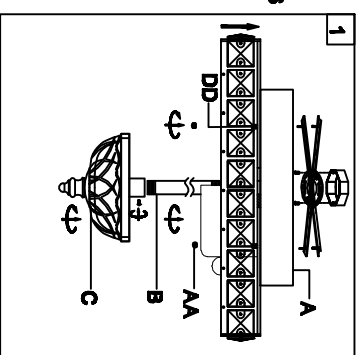


## CEILING LAMP ASSEMBLY INSTRUCTIONS

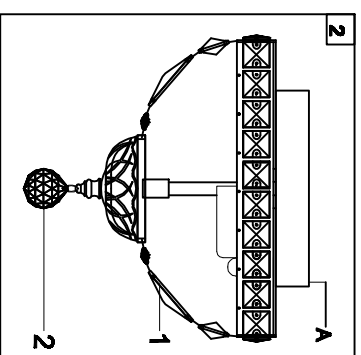
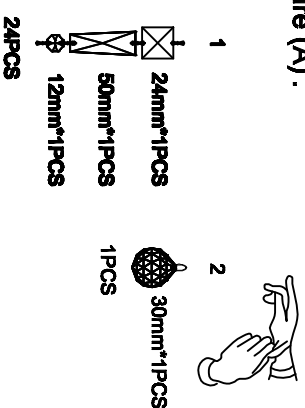
- 1.Place screw (C) onto (B).
- 2.Place screw (B) onto fixture(A).
- 3.Place fixture(A) onto mounting screws (DD),secure with cap nuts (AA).

### Hardware Used

AA Cap nut	⊖	X 4
DD Mounting screw		X 4



- 2.Please put the crystal(1) (2) to the fixture (A).



- 3.Install light bulbs ( not included).  
Use bulb  
**120V E12 2\*40W Max.**

