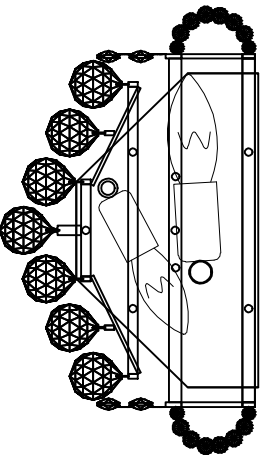


Trade Mark:
CRYSTAL WORLD INC

Product Name: Wall lamp
Model :8001W12G
120V/ac, 60Hz,AC ONLY
Lamp Size:W12"xH7"xE7"

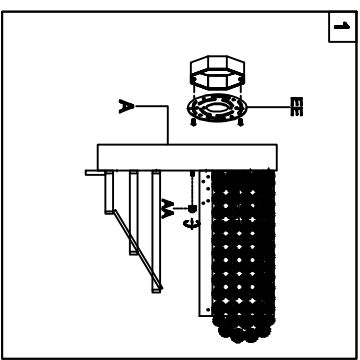


WALL LAMP ASSEMBLY INSTRUCTIONS

1. Place fixture(A) onto Butterfly (EE).
Secure with cap nuts (AA).

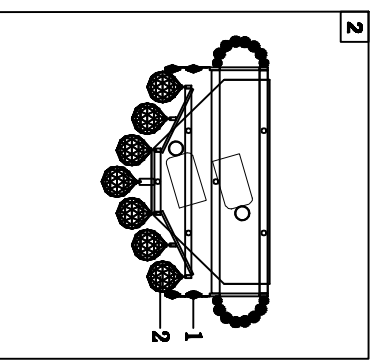
Hardware Used

AA Cap nut	2	X 2
------------	---	-----



2. Please hang the crystal (1) (2) to the fixture.

- 1 14mm* 2PCS
- 2 30mm* 1PCS
- 19PCS
- 21PCS



3. Install light bulbs (not included).
Use bulb
120V E12 2*60W Max.

