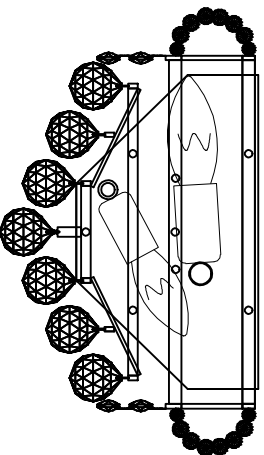


Trade Mark:
CRYSTAL WORLD INC

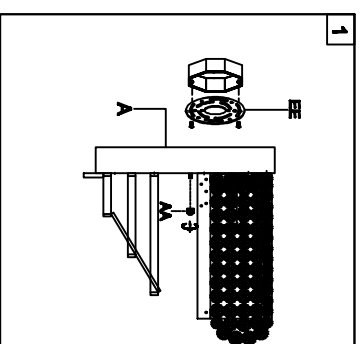
Product Name: Wall lamp
Model :8001W12C-A
120Vac, 60Hz,AC ONLY
Lamp Size:W12"xH7"xE7"



WALL LAMP ASSEMBLY INSTRUCTIONS

1. Place fixture(A) onto Butterfly (EE).
Secure with cap nuts (AA).

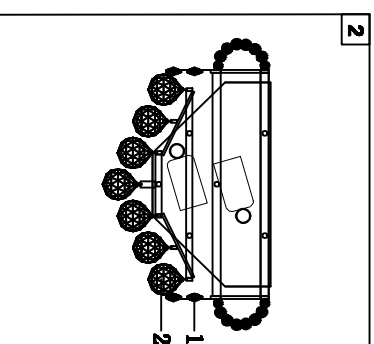
Hardware Used
AA Cap nut A X 2



2. Please hang the crystal (1) (2) to the fixture.

1 14mm* 2PCS
2PCS
21PCS

2 30mm* 1PCS
19PCS



3. Install light bulbs (not included).
Use bulb
120V E12 2*40W Max.

